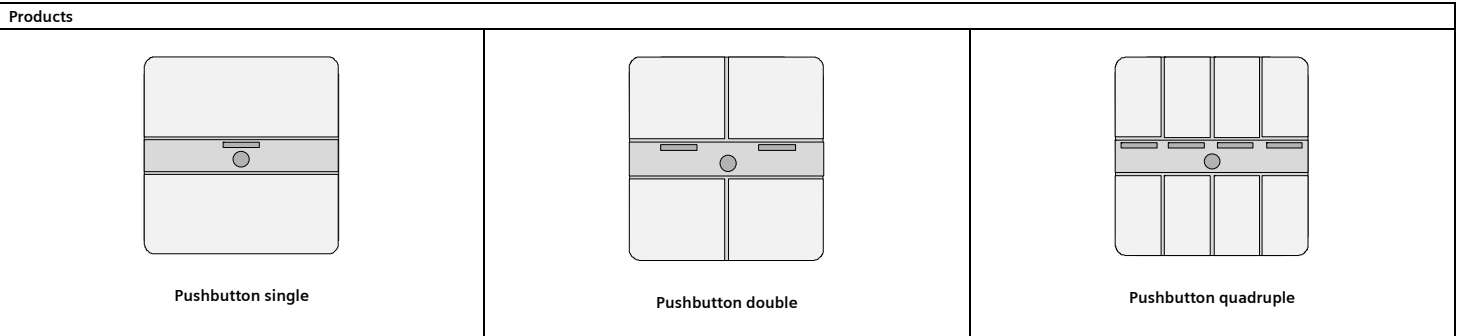


DELTA profil	Pushbutton single	UP 241	5WG1 241-2AB_1
		UP 242	5WG1 242-2AB_1
	Pushbutton double	UP 243	5WG1 243-2AB_1
		UP 244	5WG1 244-2AB_1
DELTA style	Pushbutton quadruple	UP 245	5WG1 245-2AB_1
		UP 246	5WG1 246-2AB_1
	Pushbutton single	UP 285	5WG1 285-2AB_1
	Pushbutton double	UP 286	5WG1 286-2AB_1
	UP 287	5WG1 287-2AB_1	

As at: March 2008

Operating and mounting instructions



Frame	DELTA profil:	cut-out frames ordered separately from the DELTA ranges
	DELTA style:	frames ordered separately from the DELTA ranges
Bus coupling unit		bus coupling unit UP 110 or UP 114 ordered separately

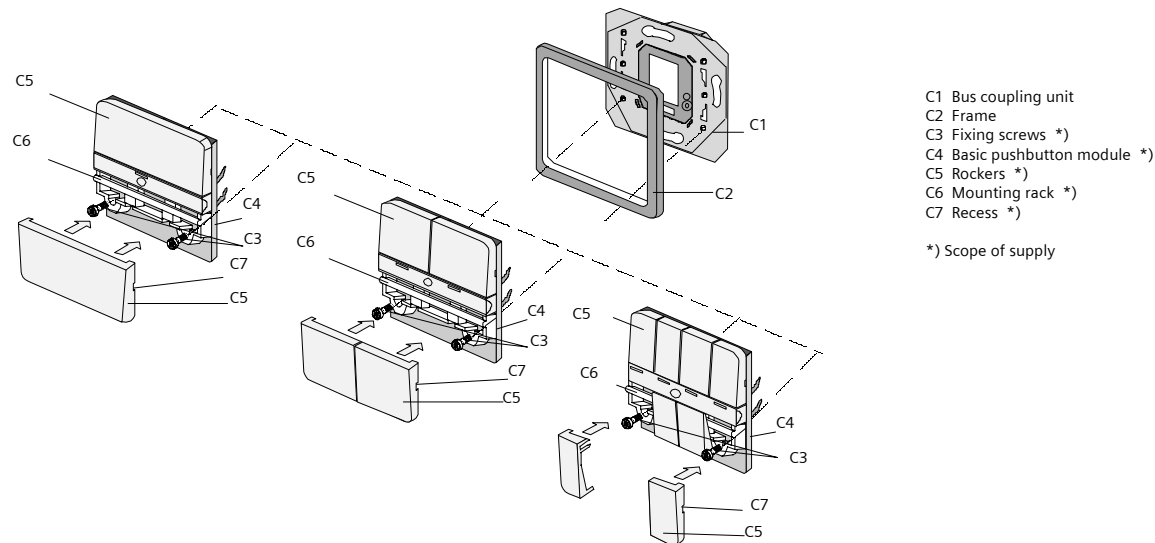


Diagram 1: Mounting the pushbutton

Product and functional description

There is an upper and a lower operating field on the pushbuttons. In the middle of the pushbutton there is a note panel in which pictograms can be inserted. This panel also contains display elements (LEDs) for orientation lighting and also for status indication. Opposing rockers are combined to form a pair e.g. for defined switching, dimming, controlling shutters and blinds.

It is also possible to carry out the switching functions ON and OFF e.g. via a pushbutton "UP".

Using an application program, the flush-mounted pushbuttons give commands via the flush-mounted bus coupler for example to actuators for defined switching on/off, for dimming lamps, raising/lowering shutters or for louvre adjustment or other parameterisable functional units.

The device pushbutton is placed together with the relevant DELTA frame on the flush-mounted bus coupler and can only function in combination with the bus coupler UP and an appropriate application program, i.e. the pushbutton (with bus coupler UP) consist of the device (hardware) and the application program (software).

The bus coupler UP and the relevant frame are not supplied with the device but must be ordered separately.

Using the ETS program the application programs can be selected and the specific parameters and addresses can be assigned.

Additional Informations

<http://www.siemens.com/gamma>

Technical data

Power supply

- via the flush-mounted bus coupler

Operating elements

- 1, 2 or 4 pairs of rockers, idle in the middle position

Display elements

- per pair of pushbuttons 1 LED red for status indication e.g. quadruple pushbutton = 4 LEDs red
- 1 LED red for orientation light

Connections

- 10-pole plug connector (PEI): for connection to the flush-mounted bus coupler

Mechanical data

- Dimensions:
 - DELTA profil (L x W x D): 65 x 65 x 11 mm
 - DELTA style (L x W x D): 68 x 68 x 14 mm
- Weight: approx. 40 g

Electrical safety

- Type of protection (according to EN 60529): IP 20

Environmental conditions

- Ambient operating temperature: - 5 ... + 45 °C
- Storage temperature: - 25 ... + 70 °C
- Relative humidity (not condensing): 5 % to 93 %

Markings

- KNX / EIB

Location and function of the operating and display elements

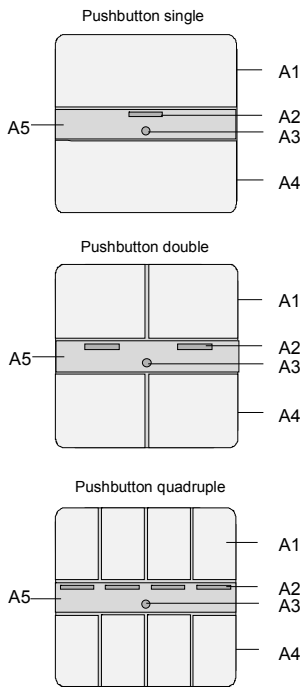


Diagram 2: Location of display and operating elements

- A1 Upper operating field
- A2 LEDs for status indication
- A3 LED as an orientation light
- A4 Lower operating field
- A5 Cover for pictograms

Mounting

- The device can be used for permanent interior installations, in dry rooms and for insertion in flush-type boxes.

DANGER

- The device may only be installed and commissioned by an authorised electrician.
- The device may not be inserted in the same box as 230 V devices.
- The device may be used in switch sockets, if VDE approved devices have been used.
- The prevailing safety and accident regulations must be observed.
- The device may not be opened.
- For planning and construction of electric installations, the relevant guidelines, regulations and standards of the respective country are to be considered.

General description

The pushbutton is placed together with the relevant frame on the flush-mounted bus coupler. The flush-mounted bus coupler (C1) is connected in the flush-type box and fixed in position (refer to the installation instructions for the bus coupler).

Mounting sequence

- Place the basic pushbutton module (C4, diagram 3) with the relevant frame (C2) on the flush-mounted bus coupler (C1) and press the one strongly upon the other.

Using fixing screws:

- If the fixing screws (C3) are used first of all the rockers (C5) have to be lifted out altogether. This can be achieved by inserting the screwdriver between the frame in the recess (C7) and applying leverage (diagram 4).

Important: The pushbutton module (C4, diagram 3) and the rockers (C5) together with the frame (C2) must be held down / pressed down.

- Screw down the fixing screws (C3).
- The rockers (C5) have to be orientated properly and clicked upon the mounting rack (C6).

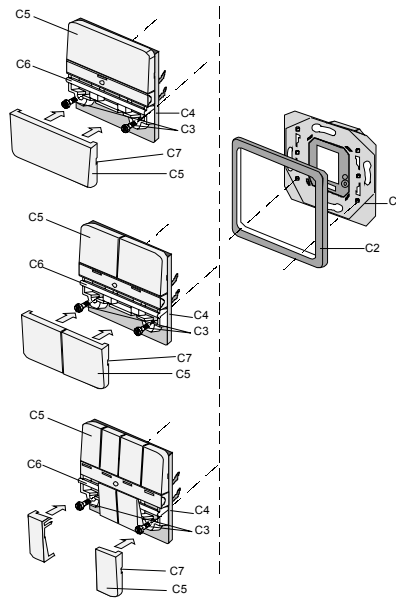
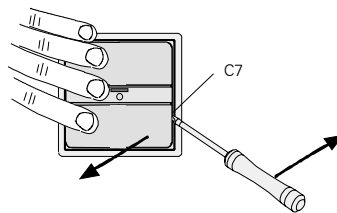
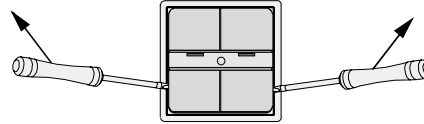


Diagram 3: mounting sequence

Drawing for mounting the fixing screws (C3)



Pushbutton single



Pushbutton double / pushbutton quadruple
Holding down as shown with pushbutton single

Diagram 4: Lifting out the rockers

Inserting pictograms

- Lift out the pictogram cover (A5) with the screwdriver by applying leverage, during this hold down the pushbutton module (C4).

DELTA profil

- Insert the screwdriver into the slot (A2) until it reaches the stop and then wiggle it.

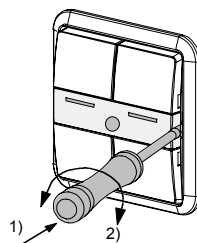
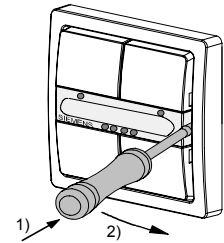


Diagram 5: Lifting out the pictogram cover

- Lay the pictograms onto the foundation.
- Snap on the pictogram cover (A5) again.

DELTA style



- 1) Insert the screwdriver between the frame and the pushbutton module
- 2) Swivel the screwdriver towards the wall.

Diagram 6: Lifting out the pictogram cover

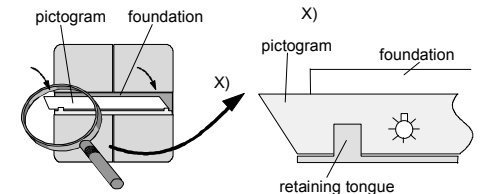


Diagram 7: inserting the pictograms

- Snap on the pictogram cover (A5) again.

Dismantling

Without fixing screws

- Remove the pushbutton (C4) completely together with the frame (C2) from the flush-mounted bus coupler (C1):
a) with the mere hand
b) with a screwdriver beneath the frame / wall

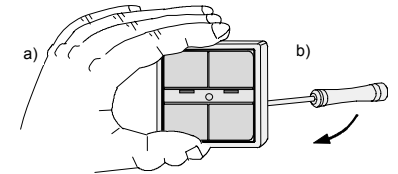


Diagram 8: Dismantling

With fixing screws

- Remove the rockers as described at „Mounting / Using fixing screws“.
- Screw out the fixing screws (C3).
- Snap on the rockers (C5) again.
- Remove the whole pushbutton module (C4) as described at „Without fixing screws“.

General Notes

- The operating instructions must be handed over to the client.
- Any faulty device should be returned to the local Siemens office.
- If you have further questions concerning the product please contact our technical support:

+49 (180) 5050-222
+49 (180) 5050-223
www.siemens.com/automation/support-request