

ECO+ Switching actuators

with manual operation

A2F16H-E / A4F16H-E / A6F16H-E / A9F16H-E

Description

The ECO-series switching actuators are especially suited for high loads, also capacitive loads, with high start-up peak (C load).

The load for each channel is 16A at 250V AC, each channel can be assigned its own mains phase. Each channel is connected to a screw terminal

Each channel has a button for manual operating and a LED for the switching status.

Technical data

max. group addresses	96
power supply	24V DC via KNX
auxiliary power supply	not necessary
protection class	IP 20
dimensions	A2F16H-E 53 x 90 x 60 (3 RU) A4F16H-E 71 x 90 x 60 (4 RU) A6F16H-E 106 x 90 x 60 (6 RU) A9F16H-E 159 x 90 x 60 (9 RU)
installation	35mm DIN rail
mechanical life-cycle	10 ⁶ switching operations
operating temperature	-5 ... +45 °C
rated load per contact	16A / 250V 50..60Hz
maximum power per contact	incandescent lamp load 3680W fluorescent lamp load compensated 3680 W uncomp. (C max 200uF) 2500 W low volt. halogen with transf. 2000W

The total load must not cause overheating of the device!

Terminals

conductors permitted:	single core	0,2 - 6mm ²
	fine wired	0,2 - 4mm ²
	with end sleeves	

Mounting

The device is mounted on DIN rail, DIN EN 60715 TH35

Configuration

iProgramming the device is provided via the ETS Software and the corresponding product data base.
The actual version is available at:
www.lingg-janke.de in the service area

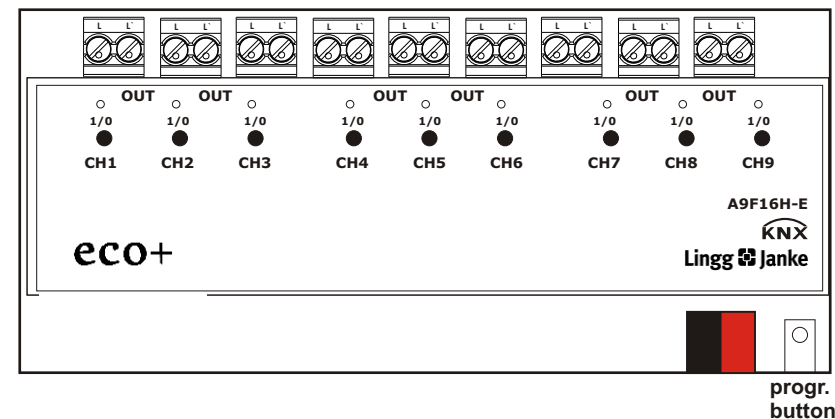
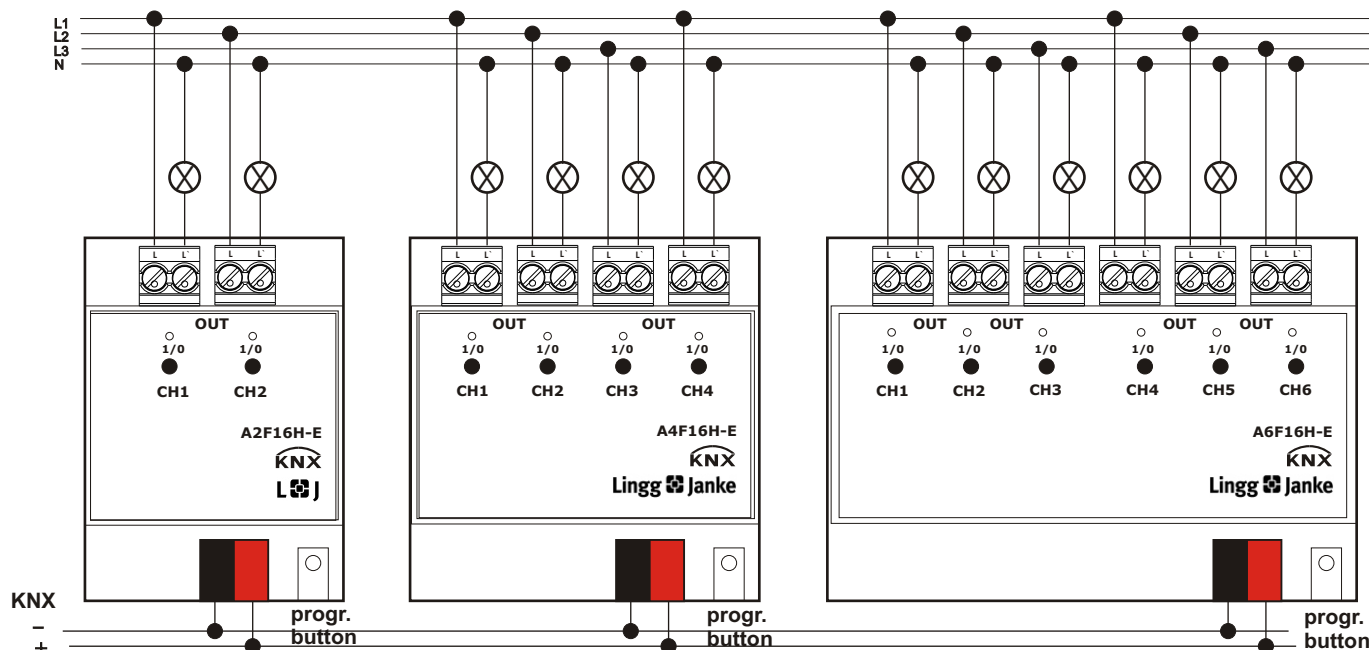
Warnings

The device must only be installed and configured by a qualified professional.

If the 230V outputs are connected to different phases, witch are not protected by the same protector unit, a clearly safety note has to be attached to the device!

Health and safty regulations have to be compiled with!

A faulty device must be returned immediatly to Lingg-Janke.



Lingg Janke

Dokument Version 16.6

Lingg & Janke OHG
Zeppelinstr. 30
D-78315 Radolfzell
support@lingg-janke.de
www.lingg-janke.de

(+49) 7732 - 94557-50
support@lingg-janke.de
www.lingg-janke.de