

Safety Instructions

WARNING

Follow carefully this safety and installation instructions. Improper work may lead to serious harmful for your health and also may damage seriously the Intesis gateway and/or any other equipment connected to it.

- The Intesis gateway must be installed by accredited electrician or similar technical personnel, following all the safety instructions given here, and in accordance always with the country legislation for installation of electric equipment.
- The Intesis gateway can not be installed outdoors or exposed to direct solar radiation, water, high relative humidity or dust.
- The Intesis gateway must only be installed in a restricted access location
- In wall mount, fix firmly the Intesis device on a not vibrating surface following the instructions below.
- Mounting inside a metallic cabinet properly connected to earth is recommended.
- Disconnect always power of any wires before manipulating and connecting them to the Intesis gateway.
- Respect always the expected polarity of power and communication cables when connecting them to the Intesis device.
- Supply always a correct voltage to power the Intesis gateway, see details of voltage range admitted by the device in the technical characteristics below.
- This device was designed for installation in an enclosure. To avoid electrostatic discharge to the unit in environments with static levels above 4 kV precautions should be taken when the device is mounted outside an enclosure. When working in an enclosure (ex. making adjustments, setting switches, etc.) typical anti-static precautions should be observed before touching the unit.

Installation instructions

- Disconnect the mains power and power of any bus or communication cable before connecting it to the Intesis gateway.
- Mount the Intesis device following the instructions given below, respecting the safety instructions given above.
- Connect the mains power cable to the supply voltage terminal block of the Intesis.
- Circuit-breaker must be used before the mains power cable. Rating 250V-6A
- Connect the communication cables to the Intesis gateway, see details on the user's manual.
- Power the Intesis device and the rest of devices connected to it.

Configuration and setup

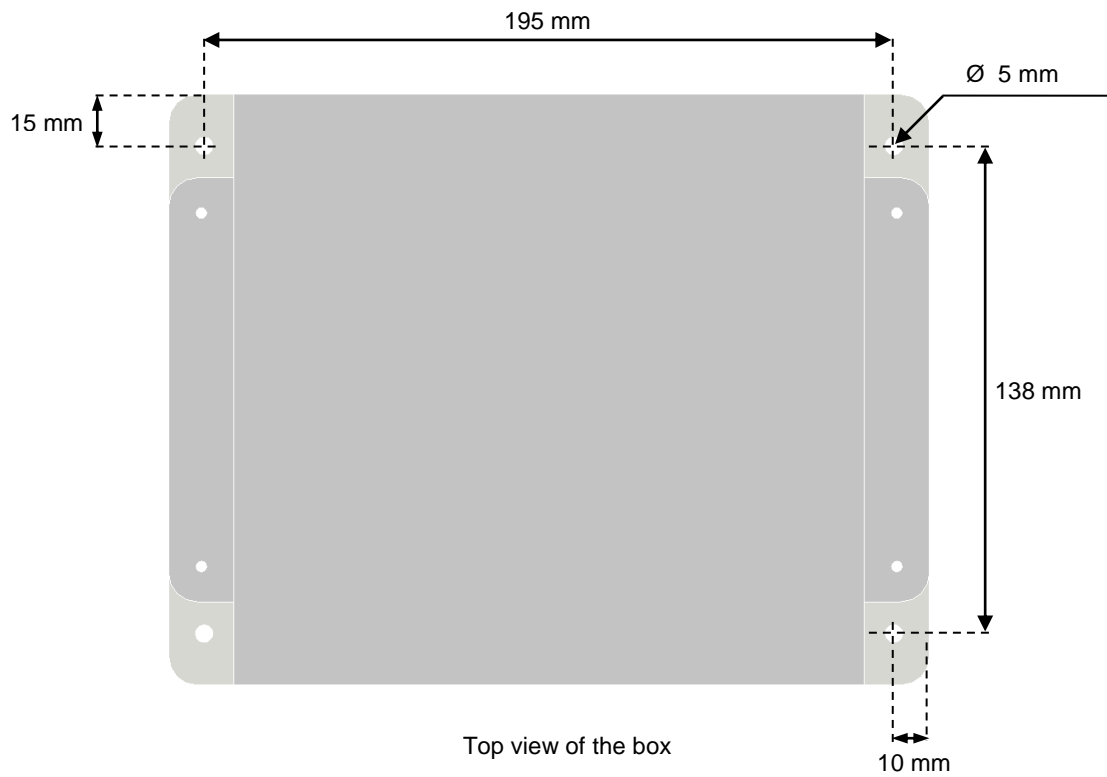
Use the software LinkBoxEIB to configure the Intesis gateway, follow the instructions of the user's manual for more details.

See instructions to download and install the latest version of LinkBoxEIB and the user's manual at

https://intesis.com/docs/software/setupv_linkboxmb

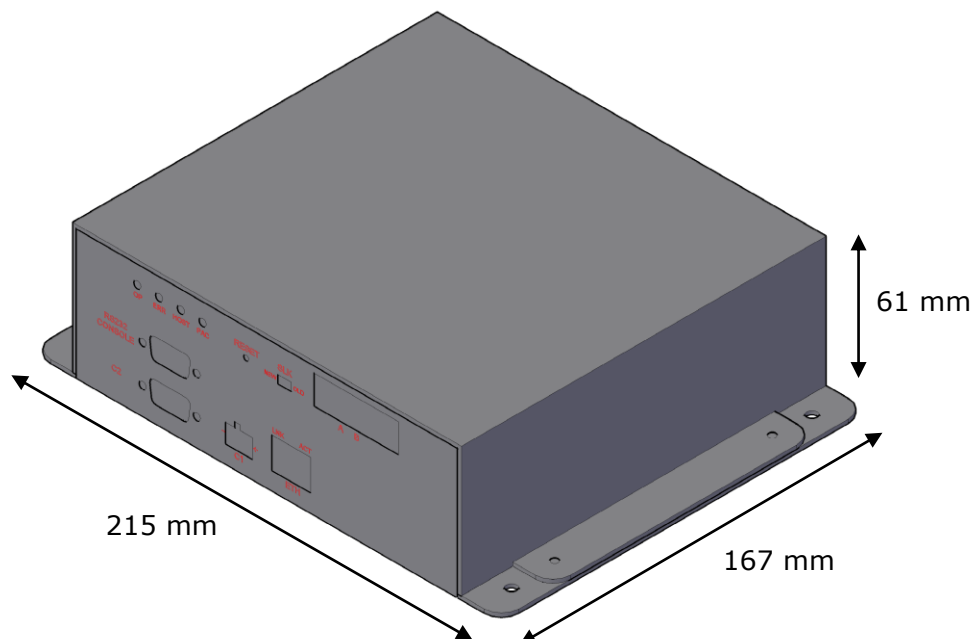
Wall mount

Use the holes to fix the box in the wall using screws. Use the template below for the wall holes:

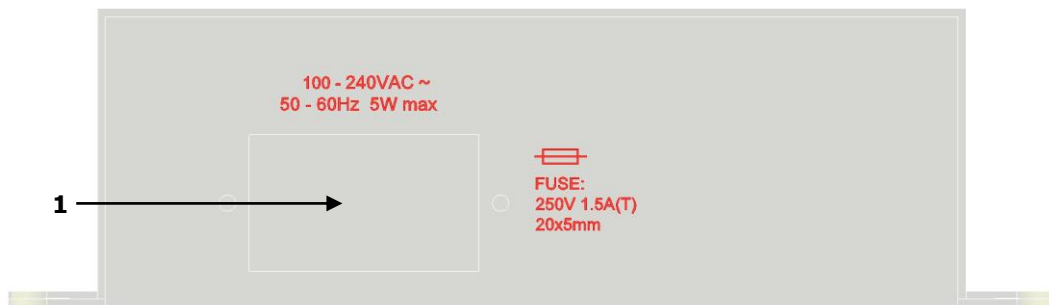


Dimensions

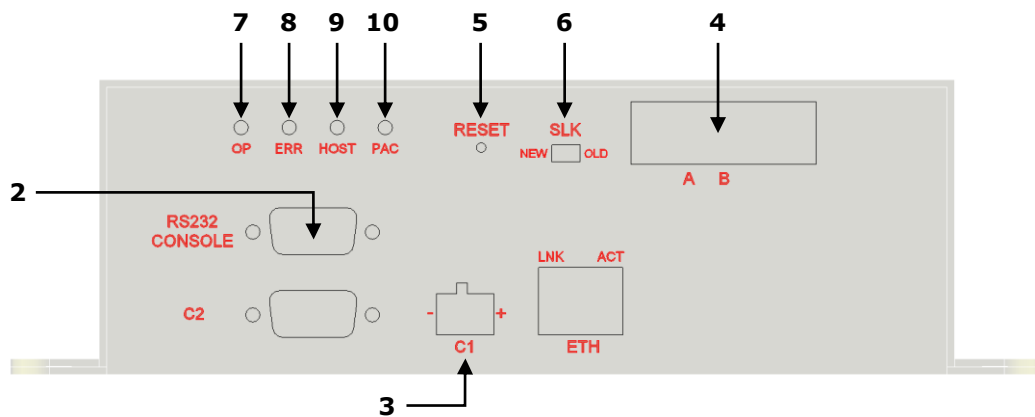
External dimensions.



Connections and indications



Device back view



Device front view

Notes:

1. Mains power connection: 230VAC (see section Technical Characteristics). The device provides switch and a protection fuse. Use the supplied cable with the Intesis gateway (1,6m).
2. Console connection: Connect the supplied console cable with the Intesis gateway (1.8 meters long, standard DB9 male-DB9 female) between your PC and the console port of the device. Use the software LinkBoxEIB to configure the Intesis gateway. See the user's manual for details.
3. KNX connection: Connect the KNX bus to the KNX connector of the Intesis device (C1). Respect the polarity.
4. A-B connection: Connect the SuperLink® bus coming from the Mitsubishi Heavy Industries AC to the connector A-B of the Intesis gateway. Respect the polarity and consult your distributor for more details.
5. The device provides a "RESET" button.
6. The device provides a selector to choose the SuperLink® bus type. If it belongs to the OLD version (SuperLink® 1), or to the NEW version (SuperLink® 2).
7. OP led: indication that the device is operative.
8. ERROR led: the led is ON when there is a communication error.
9. HOST led: the led is blinking when there is connectivity between the two circuits that compose the Intesis gateway.
10. PAC led: the led is blinking when there is activity in the SuperLink® bus, ie when there is communication between the Intesis gateway and AC system.

Technical characteristics

Enclosure	Industrial sheet metal. Size: 215mm x 167mm x 61mm. Weight: 2.025 Kg
Color	Gray metalized.
Power	100 to 240VAC~ 50 to 60Hz 5W max. Power connector: C14 (male) ¹
Fuse	250V 1.5A Dimensions: 20x5mm
Terminal wiring (for low-voltage signals)	Per terminal: solid wires or stranded wires (twisted or with ferrule) 1 core: 0.75 ... 1.25mm ² 2 cores: 0.75 ... 1.25mm ² 3 cores: not permitted
Mounting	Wall
KNX port	1 x KNX TP1 (EIB) port opto-isolated. Plug-in terminal bloc (2 poles). TNV-1
A-B port	1 x Superlink [®] terminals (Plug-in screw terminal block 2 poles "A" "B"). SELV
LED indicators	4 x MHI Interface (OP, ERR, HOST, PAC)
Push buttons	1 x Reset Device
Selectors	1 x SLK selector
Console port	EIA232. (DB9 female DCE). SELV
Configuration	Via console port. ²
Firmware	Allows upgrades via console port.
Operational temperature range	0°C to +40°C
Operational humidity range	5% to 95%, non-condensing
Protection	IP20 (IEC60529).
RoHS conformity	Compliant with RoHS directive (2002/95/CE).
Norms and standards	CE conformity to EMC directive (2004/108/EC) and Low-voltage directive (2006/95/EC) EN 61000-6-2 EN 61000-6-3 EN 60950-1 EN 50491-3

El manual de usuario está disponible en - The user manual is available at:
<https://intesis.com/products/ac-interfaces/mitsubishi-heavy-industries-gateway/mitsubishi-heavy-knx-central-mh-ac-knx>

¹ A power cable with connector C14 male 1.6 meters long is supplied with the device.

² Standard cable DB9male-DB9female 1.8 meters long is supplied with the device for connection to a PC COM port for configuring and monitoring the device. The configuration software, compatible with Windows[®] operating systems, is also supplied.



This marking on the product, accessories, packaging or literature (manual) indicates that the product contains electronic parts and they must be properly disposed of by following the instructions at <https://intesis.com/weee-regulation>