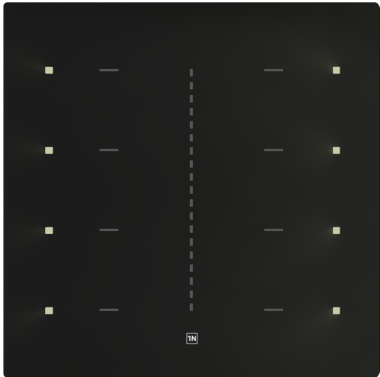
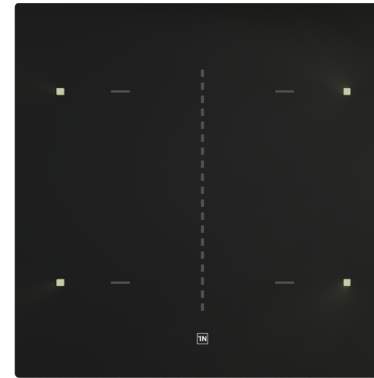


Interra Pure Touch

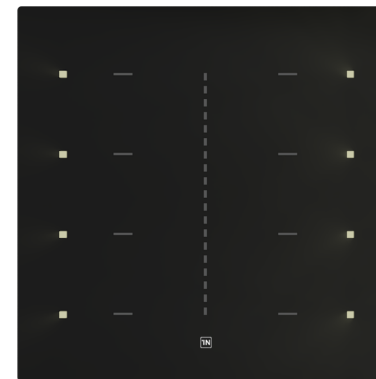


DESCRIPTION

Interra Pure Touch is a complete room control device with a touch buttons. It performs the control of all functions required for building automation, such as lighting, shutter/blind control. Besides internal temperature and humidity sensors on Interra Pure Touch, external humidity, temperature and air quality information can be monitored via KNX. All models can be programmable with the same ETS database, which provides efficient commissioning.



ITR324-13XX

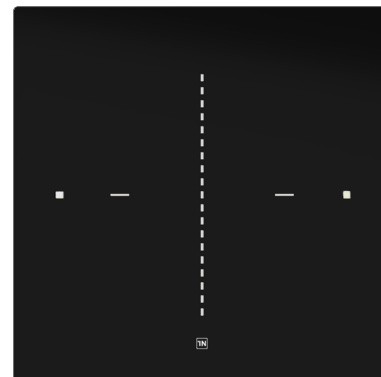


ITR328-13XX

MODELS AND VARIATIONS

Coding Standard :

ITR32X ₁ -13X ₂ X ₃			
X ₁	2 : 2 Buttons	4 : 4 Buttons	8 : 8 Buttons
X ₂	0 : Reserved		
X ₃	1 : Black	2 : White	



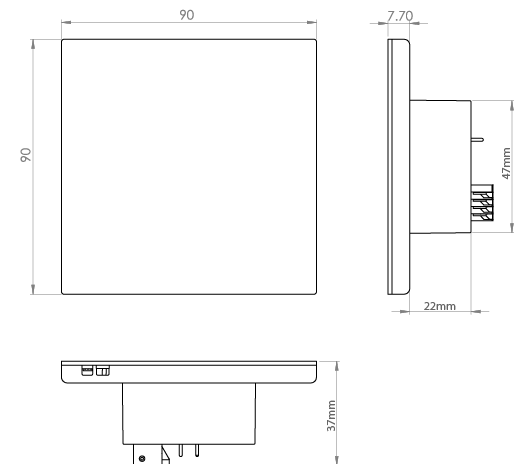
ITR322-13XX

Product Code	ITR32X-13XX
Power Supply	KNX Power Supply
Power Consumption	0.6 W, 10 mA @ 30 V KNX Bus
Touch Buttons	2 buttons, 4 buttons, 8 buttons
Sensors	Temperature Sensor (±0.2°C sensitivity) Humidity Sensor (±2 %RH sensitivity)
Commissioning Mode	S-Mode
Type of Protection	IP 20
Temperature Range	Operation (-10°C...70°C) Storage (-25°C...100°C)
Material	PC-ABS + Front Glass Layer
Colour	Buttons: Depends on models Back cover: Matte black
Dimensions	90 x 90 x 37 mm (W x H x D)
Certification	KNX Certified
Configuration	Configuration with ETS

- Comfort, standby, economy and building protection operating modes.
- Manual or Automatic switching between Heating and Cooling modes.
- Temperature measuring through the integrated sensor with the possibility of sending the value on change and periodically to the bus.
- Fan controller available.
- Relative humidity measuring through the integrated sensor with the possibility of sending the value on the bus.
- Threshold alarm is defined for temperature, humidity and air quality levels.

DIMENSIONS (mm)

- All values given in the device dimensions are millimetres.



MAIN FUNCTIONAL CHARACTERISTICS

- Pushbutton has Switching, toggle, dimming, shutter/blinds, thermostat controls, scenes, value, 2 channels, step switching mode features.
- All models can be programmable with same database.
- Locking feature available for each button and complete device.
- On/Off (2-points) and Proportional (Continuous or PWM) thermostat functions.

CONNECTION TO KNX BUS AND PROGRAMMING

The connection of the KNX bus line is made with the terminal block (black/red) included in delivery and inserted into the slot of housing.

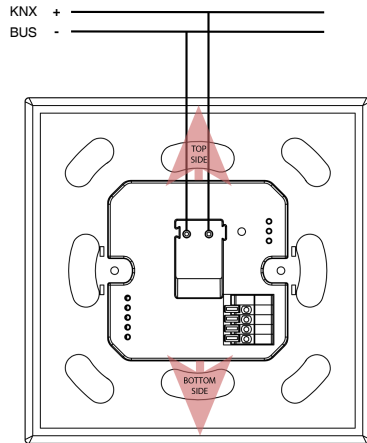


Fig.3

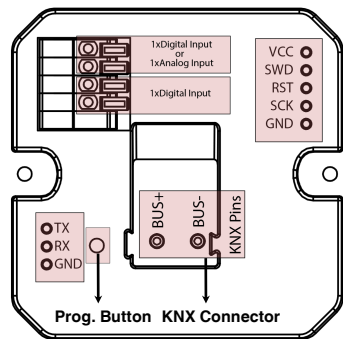


Fig.4

The connectors of Interra Pure Touch are shown in Fig.4. There are the following connectors on Interra Pure Touch : KNX connector, ST-Link MCU programming connector, analog/digital input connectors, programming mode button, Boot-Mode & TTL Com connector.

The KNX connector must be installed to operate Interra Pure Touch.

Besides, the device starts in boot mode if the programming button is pressed and holding, then energized. When the programming button is pressed while the device is energized, it switches to programming mode.

MOUNTING

Interra Pure Touch's mounting steps are described below. The procedures are described in 2 main sections : Mounting and demounting.

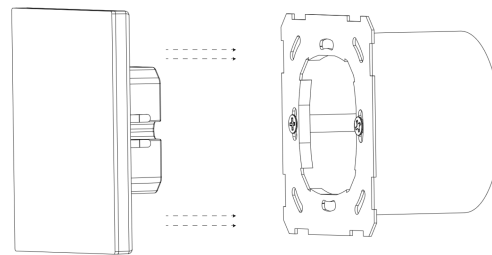


Fig.5

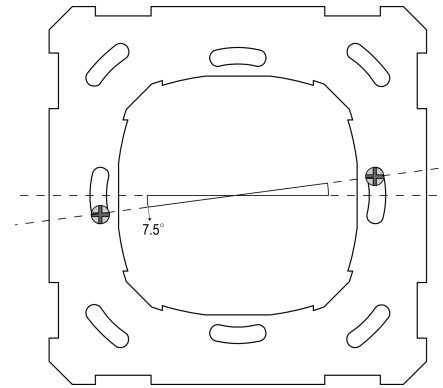


Fig.6

Note : There is a maximum deviation angle of 7.5 degrees for screwing the metal fastener (See Fig.6). The screwing position of the mounting box can be mounted with up to the maximum deviation of this angle.

Mounting :

- First, the metal fastening apparatus is attached to the junction box with M3.5x20 mm screws with a maximum torque of 1.4 N.m.
- Second, KNX cable and input cables, if any, are attached to the relevant connectors on Interra Pure Touch.
- Finally, the Pure Touch is gently placed in the junction box with the top part (see Fig.3) facing up with holding the right and left sides of the Pure Touch and the mounting process is completed.

Demounting :

- First, hold the Interra Pure Touch from the right and left side and pull it back slightly
- Second, the KNX cable and, if any, input cables are removed over Interra Pure Touch.
- Finally, the screws of the metal fastening apparatus are removed from the junction box with a maximum torque of 1.4 Nm. and the demounting process is completed.

SAFETY INSTRUCTIONS

- All Installations should only be performed by qualified personnel following applicable regulations on preventing accidents, as required by law.
- Do not connect the main voltage (230 V AC) or any other external voltages to any point of the KNX bus.
- Connecting an external voltage might put the KNX system at risk.
- Ensure that there is enough insulation between the 230 V AC voltage cables and the KNX bus.
- Do not expose this device to direct sunlight, rain or high humidity.
- Clean the product with a clean, soft, damp cloth.
- Do not use aerosol sprays, solvents or abrasives that might damage the device.

MARKS

CE: The device complies with Electromagnetic Compatibility Directive (2014/30/EU), Low Voltage Directive (2014/35/EU) and Restricting the Use of Hazardous Substances Directive (2011/65/EU).

Compliant Standards :

IEC 60669-2-1:2002+A1:2008+A2:2015

EN 60669-2-5:2016 ,

EN IEC 61000-6-1:2019,

EN 60669-1:2018