



KNX IP Router

IN00A01RIP

IP-Router / Interface between LAN and EIB/KNX bus

Application area

The KNXnet/IP router allows forwarding of telegrams between different lines through a LAN (IP) as a fast backbone.

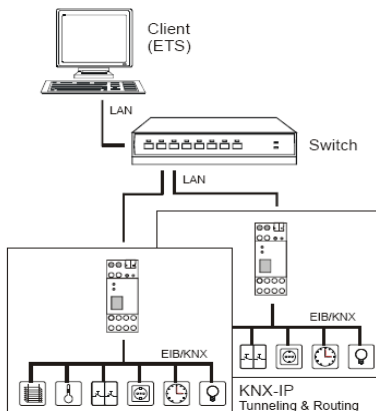
In addition this device is suited to connect a PC to the KNX/EIB network e.g. for ETS programming. The IP address can be obtained by a DHCP server or by manual configuration (ETS) respectively.



eeelectron srl

Via Magenta 77/22
I-20017 Rho (MI) - Italia
Email: info@eeelectron.com
Web: www.eelectron.com

This device works according to the KNXnet/IP specification using the core, the device management, the tunneling and the routing part.



The KNX IP Router has a filter table and is able to buffer up to 150 telegrams.

Technical data

Electrical safety

- Protection (EN 60529): IP 20
- Safety extra low voltage SELV DC 24 V

EMC requirements

- Complies with EN 61000-6-2, EN 61000-6-3 and EN 50090-2-2

Environmental requirements

- Ambient temp. operating: - 5 ... + 45 °C
- Ambient temp. Non-op.: - 25 ... + 70 °C

- Rel. humidity (non-condensing): 5 % ... 93 %

Certification

- EIB/KNX

CE norm

- Complies with the EMC regulations (residential and functional buildings) and low voltage directive

Physical specifications

- Housing: Plastic
- DIN rail mounted device, width: 36 mm
- Weight: approx. 100 g
- Fire load: approx. 1000 kJ

Operating controls

- Learning key for EIB/KNX

Indicators

- Learning-LED (red)
- Signal-LED (green) for EIB/KNX
- Signal-LED (green) for LAN

Ethernet

- 10BaseT (10Mbit/s)
- Supported internet protocols ARP, ICMP, IGMP, UDP/IP and DHCP

Power supply

- External supply 12-24V
- Alternative: Power-over-Ethernet
- Power consumption: < 800 mW

Connectors

- EIB/KNX connection terminal
- LAN RJ-45 socket
- Screw connector for power supply