

LUXOMAT® PD4-M-TRIO-DIM-SM/-FC



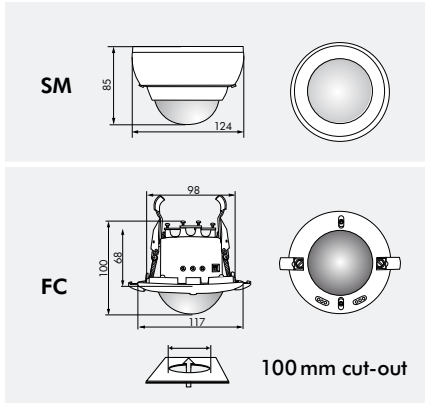
For board lighting



SM



FC



TECHNICAL DATA

- 230V~ ±10%
- \bigcirc 360°
- seated \varnothing 6.40 m
- across \varnothing 24.00 m
- towards \varnothing 8.00 m
- IP20 / Class II / $\text{C}\epsilon$
- SM** \varnothing 124 x H85 mm
FC \varnothing 117 x H100 mm
- 25°C to +50°C
- Housing UV- and shock-resistant Polycarbonate
- IR-PD4-TRIO

Channel 1 and Channel 2 (light control)

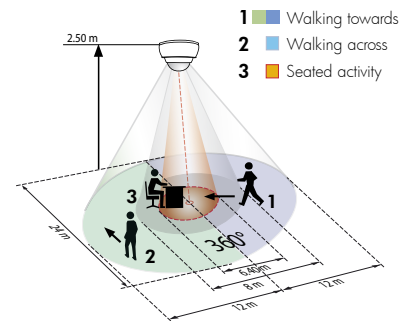
- 3000 W, $\cos\varphi = 1$;
1500 VA, $\cos\varphi = 0.5$
- 2 dim outputs 1-10VDC, max. 50 EB's
- 1 min. - 60 min.
- 10 - 1200 Lux

Channel 3 (light control) for board lighting (daylight-dependent)

- 3000 W, $\cos\varphi = 1$;
1500 VA, $\cos\varphi = 0.5$
- 1 min. - 60 min.
- like channel 1 and channel 2

PRODUCT INFORMATION

- Remote controllable occupancy detector for inside use with two directional light meters for 2 lighting zones, e.g. for a window zone and interior zone, plus independent lighting control
- Additional floating switch channel for board lighting
- 100 h function to automatically suppress the dim function for 100 hours when starting up fluorescent lamps
- SLAVE devices can be supplied as an inexpensive option for extending the detection area
- Fully automatic or semi-automatic function can be selected via remote control
- Large detection area up to 24 m in diameter
- **Pushbutton 1:** 230V input contact for ON/OFF push-button and for dimming lighting
- **Pushbutton 2:** 230V input contact for ON/OFF push-button for board lighting
- **Typical applications:** particularly suitable for use in classrooms with board lighting that can be operated separately



NEW!

ACCESSORY (OPTIONAL)



Description	Colour	Part number
PD4-M-TRIO-DIM-FC	white	92735
PD4-M-TRIO-DIM-SM	white	92730
Accessory (optional)		
LUXOMAT® IR-PD4-TRIO	grey	92097
Wire basket BSK for PD4-TRIO-SM	white	92467
Wire basket BSK for PD4-TRIO-FC	white	92199
SM-Socket IP44	white	92386