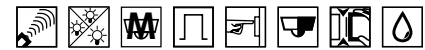


LUXOMAT® PD4-M-TRIO-DALI-SM/-FC



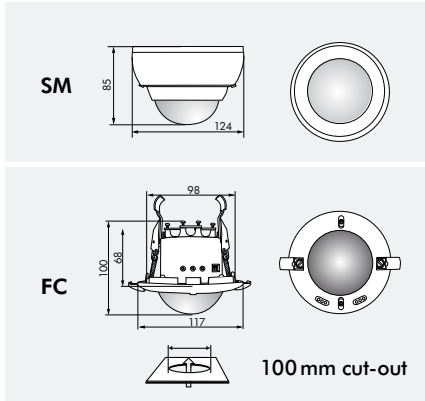
For board lighting



SM



FC



TECHNICAL DATA

- 230V~ ±10%
- 360°
- seated Ø 6.40 m
- across Ø 24.00 m
- towards Ø 8.00 m
- IP20 / Class II / CE
- SM Ø 124 x H 85 mm
- FC Ø 117 x H 100 mm
- 25°C to +50°C
- Housing UV- and shock-resistant Polycarbonate
- IR-PD-DALI

Channel 1, channel 2 and dim function (light control)

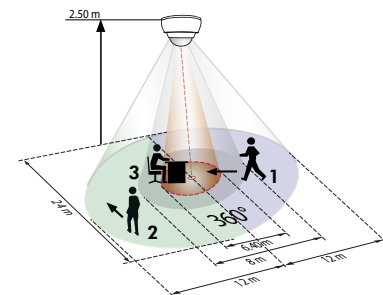
- DALI-Master Channel 1 and 2 max. 25 EB's
- 1 min. - 60 min.
- 10 - 1200 Lux

Channel 3 (light control)

- DALI-Master Channel 3 max. 10 EB's
- like Channel 1 and Channel 2

PRODUCT INFORMATION

- Remote controllable group occupancy detector LUXOMAT® PD4-M-TRIO-DALI as Master version for surface and false ceiling mounting with 3 DALI interfaces and with circular detection area
- For 2 separate light groups
- Two integrated light sensors for automatic **constant light control**
- Control of up to 25 digital dimming electronic ballasts and control modules as a group per DALI output 1 and 2, and up to 10 for DALI output 3
- Many programmes adjustable with the remote control LUXOMAT® IR-PD4-TRIO-DALI
- **Typical applications:** offices, conference rooms, schools, nursery schools, hospitals etc.



- 1 Walking towards
- 2 Walking across
- 3 Seated activity

NEW!

ACCESSORY (OPTIONAL)



Description	Colour	Part number
PD4-M-TRIO-DALI-FC	white	92755
PD4-M-TRIO-DALI-SM	white	92750
Accessory (optional)		
LUXOMAT® IR-PD4-TRIO-DALI	grey	92104
Wire basket BSK for PD4-TRIO-SM	white	92467
Wire basket BSK for PD4-TRIO-FC	white	92199
SM-Socket IP44	white	92386