

LUXOMAT® PD4-M-DIM-C-SM/-FC/-FM



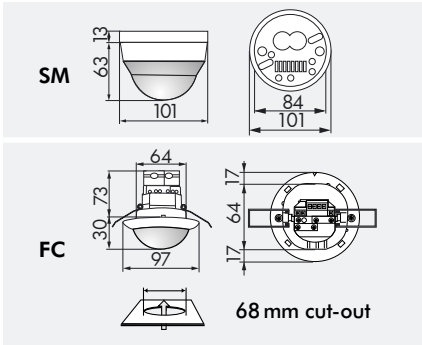
With narrow detection area



SM



FC

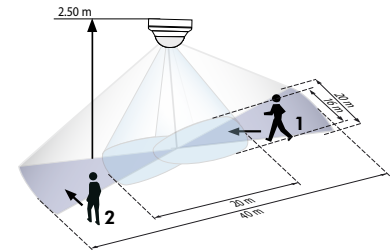


■ TECHNICAL DATA

- 230V~ ±10%
- 360°
- across Ø 40.00 m
towards Ø 20.00 m
- SM = IP54; FC = IP20 / Class II / CE
- SM** Ø 101 x H 76 mm
FC Ø 97 x H 103 mm
- 25°C to +50°C
- Housing UV- and shock-resistant Polycarbonate
- IR-PDim, IR-PD-DIM-Mini
- Channel 1 (Control the lighting)**
- 2300 W, cosφ = 1;
1150 VA, cosφ = 0.5
- 1 min. - 30 min. or impulse
- 10 - 2000 Lux
- 1-10VDC, max. 50 EB's

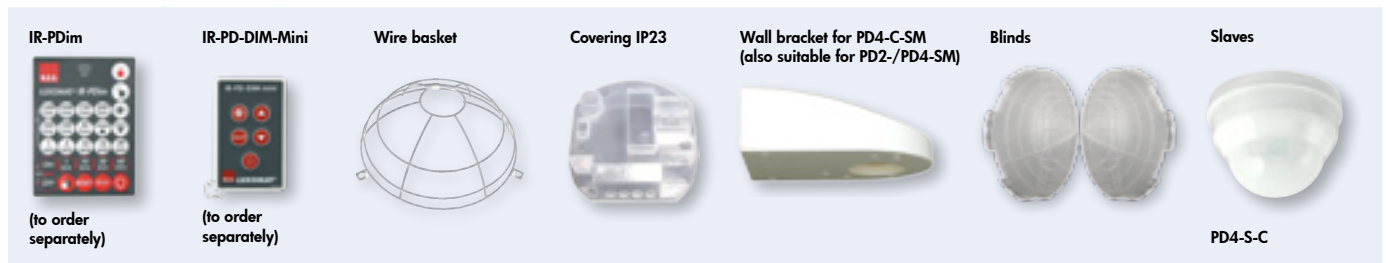
❶ PRODUCT INFORMATION

- Remote controllable occupancy detector for inside use LUXOMAT® PD4-M-DIM-C as dim version als Master for surface and false ceiling mounting with narrow detection area ideal for corridors
- An easy and cost effective way to realize a **constant light control**
- One channel to switch the lighting
- 1 dim output with 1-10VDC interface to control electronic ballasts
- The connection of a unlimited number of slaves for reasonable extension is possible!
- Function full automatic or semi automatic mode, dimming and switching with the optional infrared remote control LUXOMAT® IR-PDim
- **Typical applications:** monitoring of long corridors



- 1 ■ Walking towards
- 2 ■ Walking across

■ ACCESSORY (OPTIONAL)



PD4-M-DIM-C-SM	white	92218
PD4-M-DIM-C-FC	white	92217
Accessory (optional)		
LUXOMAT® IR-PDim	grey	92200
LUXOMAT® IR-PD-DIM-Mini	grey	92098
Wall bracket for PD4-C-SM	white	92441
Wire basket BSK	white	92199
Covering IP23	transparent	92206