

LUXOMAT® PD4-M-1C-SM/-FC/-FM



For monitoring large areas



SM



FC



FM

TECHNICAL DATA

- 230V~ ±10%
- 360°
- seated Ø 6.40 m
- across Ø 24.00 m
- towards Ø 8.00 m

IP20 / Class II / CE

- SM Ø98 x H65 mm
- FC Ø97 x H103 mm
- FM Ø97 x H84 mm

-25°C to +50°C

Housing UV- and shock-resistant Polycarbonate

IR-PD, IR-PD-Mini

Channel 1 (Control the lighting)

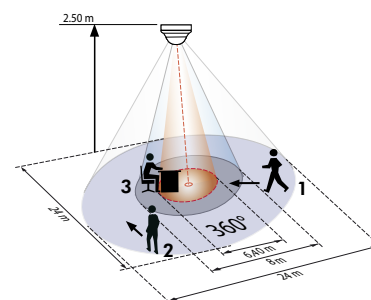
2300 W, cosφ = 1;
1150 VA, cosφ = 0.5

15 sec. - 30 min. or impulse

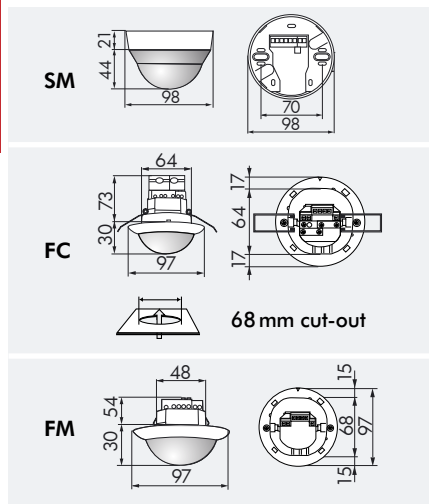
10 - 2000 Lux

PRODUCT INFORMATION

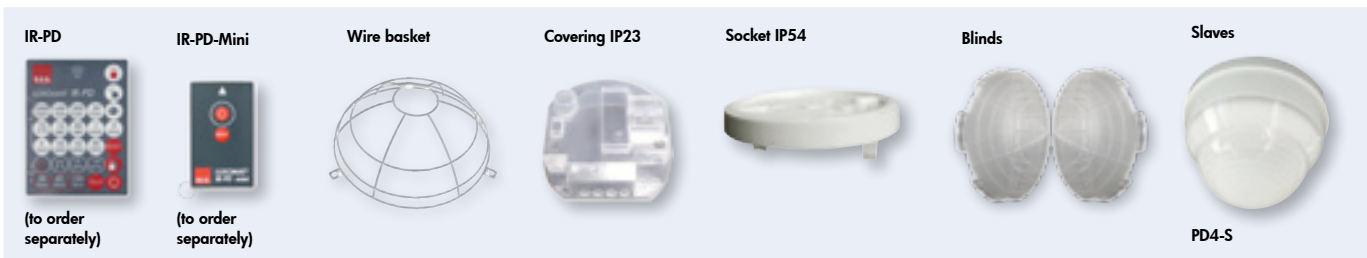
- Remote controllable occupancy detector for inside use LUXOMAT® PD4-M-1C as Master version for surface, false ceiling and flush mounting with circular detection area
- One channel to switch the lighting (potential free)
- Switching for all types of light fixtures by high performance relay
- Optical system, designed for highest sensitivity
- The connection of a unlimited number of slaves for reasonable extension is possible!
- Serial impulse function
- **Typical applications:** monitoring of large areas like underground garages, gyms, warehouses, loading ramps, halls



- 1 Walking towards
- 2 Walking across
- 3 Seated activity



ACCESSORY (OPTIONAL)



| Description | Colour | Part number |
|-----------------------------|-------------|-------------|
| PD4-M-1C-SM | white | 92580 |
| PD4-M-1C-FC | white | 92585 |
| PD4-M-1C-FM | white | 92575 |
| Accessory (optional) | | |
| Wire basket BSK | white | 92199 |
| LUXOMAT® IR-PD | grey | 92160 |
| LUXOMAT® IR-PD-Mini | grey | 92159 |
| Socket IP54 for PD4-SM | white | 92161 |
| Covering IP23 | transparent | 92206 |