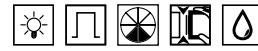


LUXOMAT® PD4-1C-SM/-FC/-FM



For monitoring large areas



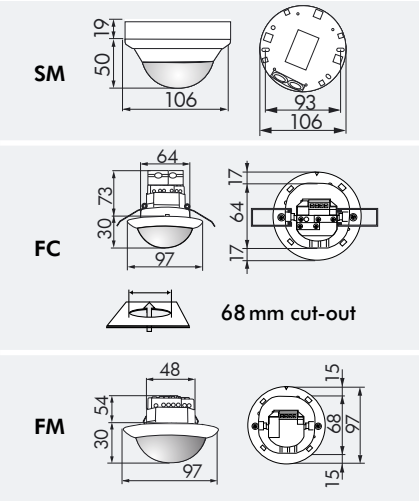
SM



FC



FM

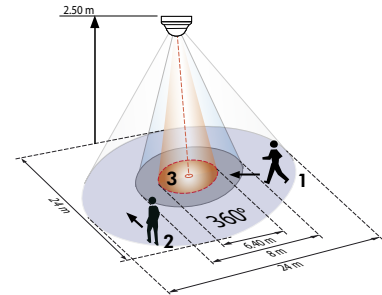


TECHNICAL DATA

- 230V~ ±10%
- 360°
- across Ø 24.00 m
towards Ø 8.00 m
- SM = IP44; FC/FM = IP20 / Class II / CE
- SM** Ø 106 x H 69 mm
FC Ø 97 x H 103 mm
FM Ø 97 x H 84 mm
- 25°C to +50°C
- Housing UV- and shock-resistant Polycarbonate
- Channel 1 (Control the lighting)**
- 2000 W, cos φ = 1;
1000 VA, cos φ = 0.5
- 30 sec. - 30 min. or impulse
- 10 - 2000 Lux

PRODUCT INFORMATION

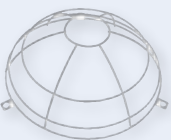
- Manually operated ceiling-mounted motion detectors LUXOMAT® PD4-1C in surface-mount, ceiling-mount and flush-mount version with circular detection area and large range
- One channel to switch the lighting
- Switching for all types of light fixtures by high performance relay
- Optical system, designed for highest sensitivity
- Serial impulse function
- **Typical applications:** monitoring of large areas like underground garages, gyms, warehouses, loading ramps, halls



- 1 ■ Walking towards
- 2 ■ Walking across
- 3 ■ Smaller movements

ACCESSORY (OPTIONAL)

Wire basket



Covering IP23



Blinds



Description	Colour	Part number
PD4-1C-SM	white	92144
PD4-1C-FC	white	92149
PD4-1C-FM	white	92151
Accessory (optional)		
Wire basket BSK	white	92199
Covering IP23	transparent	92206

INDOOR MOTION DETECTORS