

LUXOMAT® PD4-1C-C-SM/-FC



With narrow
detection area



SM



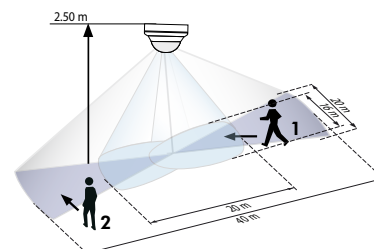
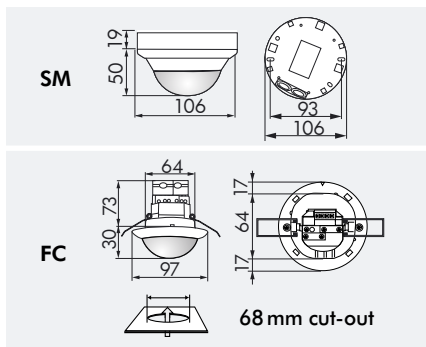
FC

■ TECHNICAL DATA

- 230V~ ±10%
- 360°
- across Ø 40.00 m
towards Ø 20.00 m
- SM = IP44; FC = IP20 / Class II / CE
- SM** Ø 106 x H 69 mm
FC Ø 97 x H 103 mm
- 25°C to +50°C
- Housing UV- and shock-resistant Polycarbonate
- Channel 1 (Control the lighting)**
- 2000 W, cosφ = 1;
1000 VA, cosφ = 0.5
- 30sec. - 30 min. or impulse
- 10 - 2000 Lux

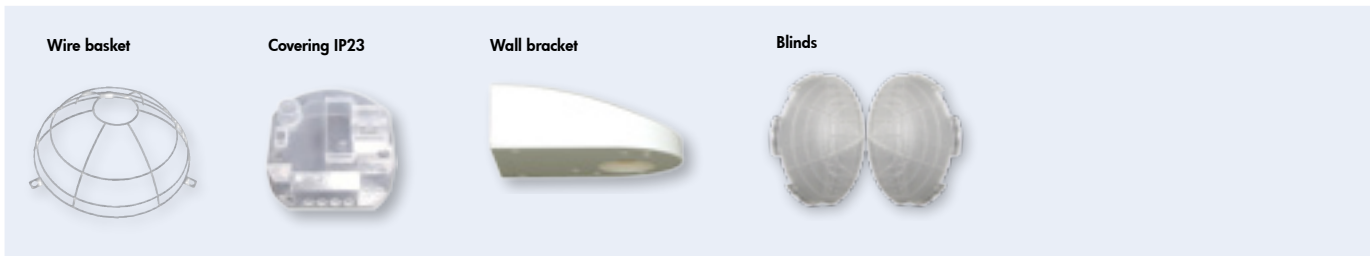
i PRODUCT INFORMATION

- Manually operated ceiling-mounted motion detectors LUXOMAT® PD4-1C-C in surface-mount and ceiling-mount version with narrow detection area ideal for corridors
- One channel to switch the lighting
- Switching for all types of light fixtures by high performance relay
- Optical system, designed for highest sensitivity
- Serial impulse function
- **Typical applications:** monitoring of long corridors



- 1 ■ Walking towards
- 2 ■ Walking across

■ ACCESSORY (OPTIONAL)



Description	Colour	Part number
PD4-1C-C-SM	white	92270
PD4-1C-C-FC	white	92274
Accessory (optional)		
Wire basket BSK	white	92199
Wall bracket for PD4-C-SM	white	92441
Covering IP23	transparent	92206