

LUXOMAT® HF-MD2-SM



Radars



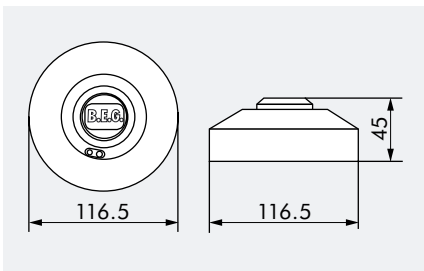
■ TECHNICAL DATA

- 230V~ ±10%
- 360°
- max. Ø 0.4 - 8 m
- IP20 / Class II / CE
- Ø 117 x H 45 mm
- 15°C to +50°C
- Housing UV- and shock-resistant Polycarbonate
- Channel 1 (Control the lighting)**
- 1200 W, cosφ = 1
- 5 sec. - 15 min.
- 2 - 2000 Lux
- 5.8 GHz, <10 mW

i PRODUCT INFORMATION

- High-frequency motion detectors for invisible light switching specifically for flush mounting
- No light switches needed
- 360° resp. 160° detection area depending of the kind of installation for ceiling or wall
- Range, twilight value and follow up time are adjustable with potentiometer
- HF technology: 5.8 GHz - reacts to the smallest motion, independently of temperature
- Extremely short activation time
- Light only when needed
- **Typical applications:** especially for uses without direct contact (can also detect through walls)

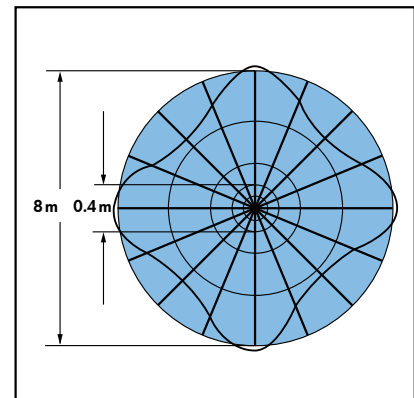
INDOOR MOTION DETECTORS



Outlet!

- ▶ Almost the same range of frequency as in W-LAN n (5 GHz) is used. The transmitter output of the sensor is less than 10 mW, which is around 100 times less than the transmitter output of a mobile phone (GSM) or micro-wave.
- ▶ We recommend you to test your application area to check for external influences on the detection area.
- ▶ HF technology: detection through walls possible
- ▶ Please pay attention to the mounting informations in the manual.
- ▶ Information about our HF lights can be found in the lighting catalogue.

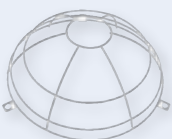
Ceiling mounting (Mounting height 2.50 m)



■ Walking across or towards
The range depends on size and speed of the object.

■ ACCESSORY (OPTIONAL)

Wire basket



Description	Colour	Part number
HF-MD2-SM	white	94402
Accessory (optional)		
Wire basket BSK	white	92199