

Push Button IKE 281 1-fold	5WG1 281-8AB01
Push Button IKE 282 2-fold	5WG1 282-8AB01
Push Button IKE 283 3-fold	5WG1 283-8AB01

Issued: August 1999

Product and Application Description

The push button IKE is a DELTA millennium *instabus EIB* channel device for installation channel mounting. Via the built-in bus coupling unit application programs can send switching commands to actuators (e.g. for direct on and off switching of luminaires).

The following DELTA millennium channel system device components are available:

<u>Channel</u>	
Channel unit bottom part	5WG1 195-3AB01
Channel unit top part	5WG1 197-8AB01

<u>Modules</u>	
Push button IKE 281 single	5WG1 281-8AB01
Push button IKE 281 double	5WG1 282-8AB01
Push button IKE 281 4-fold	5WG1 284-8AB01
Temperature controller IKE 250	5WG1 250-8AB01
Socket cover	5WG1 198-8AB01
Base module	5WG1 195-8AB41

<u>Accessories</u>	
Earthing kit	5WG1 195-8AB11
Wall mounting cover	5WG1 195-8AB31
Dismounting tools	5WG1 195-8AB01

The push buttons IKE can be labelled according to the individual requirements of the user.

With the ETS (EIB Tool Software) the application program is selected, its parameters and addresses are assigned appropriately.

Enclosures

- 1 x push button IKE
- 1 x stranded non-fused earthed conductor
- 1 x earthing clamp channel unit bottom part operation- and installation guide

Application programs

Application program push button IKE.
See Siemens product database from version F2 onward or application programs description.

Technical specifications

Power supply
via instabus EIB

Control elements

- 1, 2 respectively 4 short depression buttons are provided on a 120 x 19 mm surface, depending on the selected option. They are responsive to depressions at any place on the button's surface. Number of switching cycles: >25.000
- Learning button for switching between normal / addressing mode

Display elements

- 1, 2, respectively 4 sections of a red luminous strip 120 x 3 mm built in the device are illuminated separately, depending on the selected option. Each section can be assigned two user defined tasks, either as state illumination or as orientation illumination.
- Red programming-LED:
for displaying mode, built in the learning button
 - programming LED on: addressing mode, on receiving the physical address the device automatically returns to normal operating mode
 - programming LED off: normal operating mode

Connections

- bus line: bus connection block instabus EIB
- for mounting the overvoltage protection the provided apparent plug-in socket should be used
- 2 x strength anchorage clamps for 2 bus cables each
- earthing protection of the surfaces by a stranded non-fused earthed conductor connected at the device's back side with a 6,3 mm plug-in connector

Mechanical specifications

- surface: aluminium, anodised E6-EV1
- housing: plastic
- dimensions: 166 x 80 x 41 mm (W x H x D)
- weight: approx. 300 g
- mounting: slipped onto the matching channel unit bottom part

Electrical safety

- fouling class (according to IEC 664-1): 2
- protection (according to EN 60529): IP 20
- protection class (according to IEC 1140): I, the conductive surfaces must be included in the protection
- overvoltage class (according to IEC 664-1): III
- bus: safety extra low voltage SELV DC 24 V
- device complies with EN 50090-2-2 and IEC 664-1: 1992

Reliability

rate of failure: 800 fit at 40 °C

Electromagnetic compatibility

complies with EN 50081-1, EN 50082-2 and EN 50090-2-2

Environmental specifications

- climatic conditions: EN 50090-2-2
- ambient temperature operating: - 5 ... + 45 °C
- ambient temperature non-op.: - 25 ... + 70 °C
- relative humidity (non-condensing): 5 % to 93 %

Certification

EIB certificate

CE norm

complies with the EMC regulations (residential and functional buildings), and low voltage regulations

Location and Function of the Display and Operator Elements

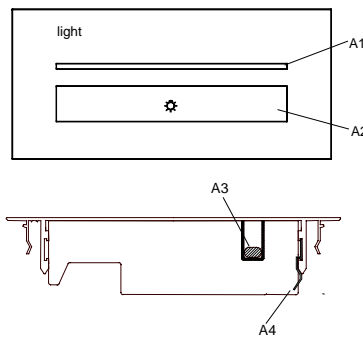


Figure 1: Location of the Display and Operator Elements

- A1 Display LED
- A2 Operations buttons
- A3 Learning button with built-in programming LED
- A4 Terminal for plug-in connector for connecting the stranded non-fused earthed conductor

Installation Instructions

- The device may be used for permanent interior installation in dry locations and be mounted in the designated channel only.

⚠ WARNING

- The device must be mounted and commissioned by an authorised electrician.
- The bus cable must be anchored by the provided cable clamp.
- The device must not be connected to 230 V.
- Surfaces must be earthed by a stranded non-fused earthed conductor mounted at the device's back side.
- All covers and modules have to be mounted with the attachment mark from the left side (see figure 5).
- The prevailing safety rules must be heeded.
- The device must not be opened. A device suspected to be faulty should be returned to the local Siemens office.

Mounting

General description

The push button modules IKE must be mounted only in the designated DELTA channel device channels. The module's first-rate aluminium surface can be easily scratched by hard objects or tools. That's why you should pay increased attention during all mounting operations. Modules within the DELTA millennium channel unit system can be composed as you like. The modules are mounted like the channel covers by simply slipping them onto the channel unit bottom part. For dismounting the device simply and without destruction with the dismounting kit at least one extension module has to be used within one table.

Connecting and wiring the modules (figure 2 and 3)

The modules must be previously connected and wired outside the channel unit, because they are mounted at the back side. To connect the modules (B1) first the swivel lid (B2) has to be removed. To do so the lid has to be clicked out of place (B3) at the handle bar in the "OPEN" direction and to be removed.

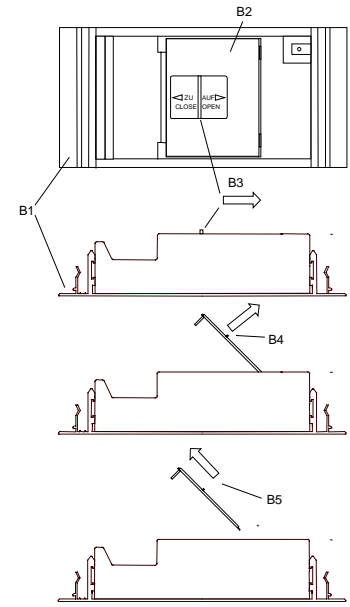


Figure 2: Opening the housing lid

The bus plug-in connector is slipped upon the bus terminal (C1) (figure 3). Consider the bus polarisation!

Then the bus cable is anchored at the module housing by one of the anchorage clamps (C2) (At most two bus lines can be clamped per strength anchorage clamp). An EIB cable jumper with an appropriate length connecting neighbouring modules should be provided to ensure simple mounting operations (a total length of ≥25 cm is recommended). In case of using an overvoltage protection an apparent plug-in socket is provided for mounting the element. After wiring the EIB cable the lid is inserted back and clicked into place in "CLOSE" direction (figure 2, reverse sequence).

For wire insertion additional inserting apertures can be broken into the lid at the provided break-out areas.

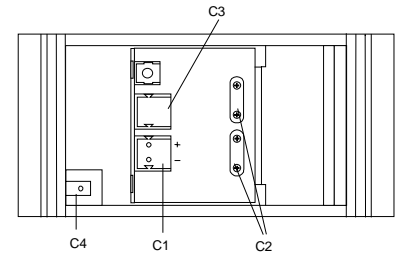


Figure 3: Module with open lid from the backside

To ensure electric safety in case of failures each module must be earthed. For this the earthing clamp (D1) has to be slipped in the mounting area into the potential rail (D2) of the channel unit bottom part (D3) and tightened (figure 4).

Torque of the mounting screw: T = 1,2 Nm

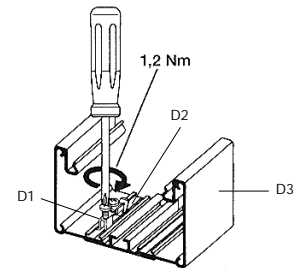


Figure 4: Tightening the earthing clamps

The terminal of the stranded non-fused earthed conductor (E3) has to be plugged onto the flat plug-in connector terminal (E2) before mounting the modules (E1) in the channel unit. The connection between earth and the earthing clamp (E4) mounted in the channel unit bottom part is established via the stranded non-fused earthed conductor. The earthing clamp should be mounted on the opposite side due to the place restrictions. If all wires have been connected the modules can be inserted in the pre-mounted channel unit bottom part and clicked into place by an equal pressure onto the clamp outlines. When inserting the modules take into account that the attachment mark (double line, E5) is situated on the channel unit's left side (figure 5).

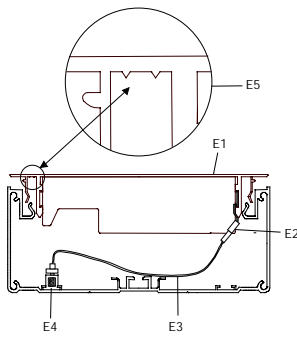


Figure 5: Inserting the modules

If all provided modules are installed excluded the extension module, the modules can be programmed in the following manner: The modules in the channel unit's bottom part can be displaced up to 80 mm (figure 6) if the base module is left out. First the module situated at the top (F2) is pushed upwards towards the channel cover and all the other modules are pushed towards the bottom channel cover. The access to the programming button is possible via the aperture. It gleams "red" on depression. When the button's light extinguishes after the module has been programmed, the next module can be pushed upwards and programmed.

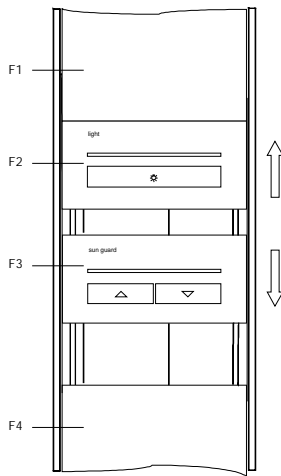


Figure 6: programming the modules

The channel is closed by the base module after the modules have been programmed.

Note: During this take into account that the base module has to be earthed with the enclosed stranded non-fused earthed conductor.

Dismounting

Note: The covers and modules always have to be dismantled with the provided mounting kit (order number: 5WG1 195-8AB51). It can only be carried through without damages if a base module has been installed as a "device for meshing in with the dismantling tools".

First the mounting kit (G1) is put down upon the upper edge of the base module (G3) with its sucking bowls (G2) as described in figure 7.

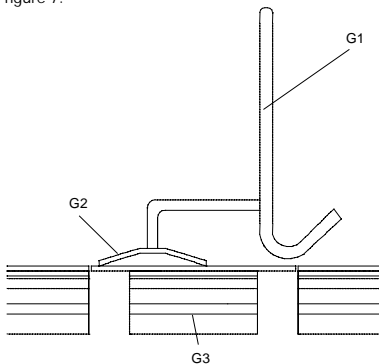


Figure 7: putting down the mounting kit

Afterwards the base module (G3) is removed from the locking outline of the channel unit's bottom part (G4) by levering the handle (G1) in the direction of the arrow (figure 8). Take care that both sucking bowls (G2) strongly stick to the surface on the upper edge and the bottom part of the mounting kit props up itself at the bottom edge of the base module (take advantage of the leverage).

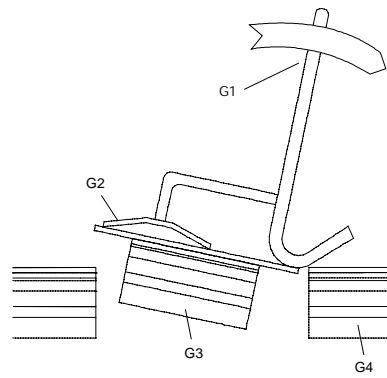


Figure 8: Direction of leverage for dismantling

With the base module once removed the other modules and covers can be removed as shown below:

The mounting kit (H1) is rotated and the hooks, as shown in figure 9 and figure 10, are put between the channel's top (H2) and bottom (H3) part.

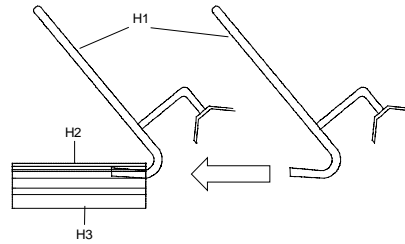


Figure 9: Putting the dismantling kit to the dismantling position for channel top parts (side view)

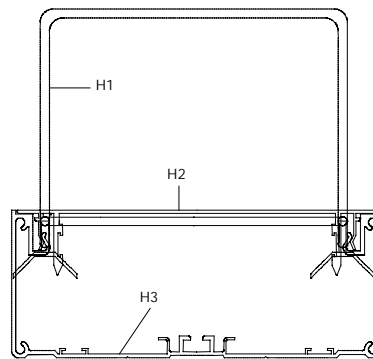


Figure 10: Position of the dismantling hooks (outline section)

Figure 11 shows the removal of the channel unit top part from the locking outline, guaranteeing a simple and in any case free of damage dismantling of channel covers and modules.

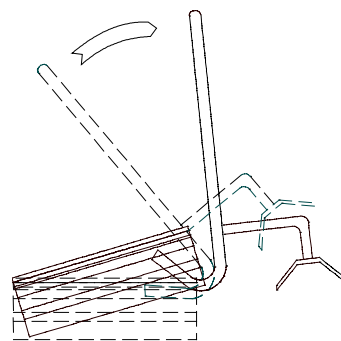


Figure 11: Levering out the channel unit's top part respectively the modules