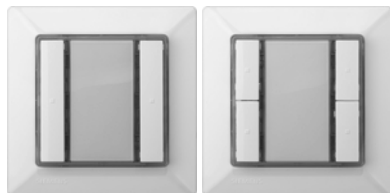


Wall switch, single UP 221 E
Wall switch, dual UP 222 E
5WG1 221-2EB..
5WG1 222-2EB..

Product and Applications Description



The wall switches UP 221 E / UP 222 E are available in the following colors, matching the design of the wall switch design line DELTA i-system:

Wall switch, single UP 221 E	
electro white	5WG1 221-2EB01
titanium white	5WG1 221-2EB11
carbon metallic	5WG1 221-2EB21
aluminum metallic	5WG1 221-2EB31

Wall switch, dual UP 222 E	
electro white	5WG1 222-2EB01
titanium white	5WG1 222-2EB11
carbon metallic	5WG1 222-2EB21
aluminum metallic	5WG1 222-2EB31

The wall switch UP 221 E / UP 222 E is slid onto the bus coupling unit UP together with its DELTA line / DELTA vita / DELTA miro frame. At the same time the electric connection between the wall switch UP 221 E / UP 222 E and the bus coupling unit UP is established via a physical external interface (PEI).

The wall switch requires a bus coupling unit and an appropriate application program to work properly, i.e. the wall switch UP 221 E / UP 222 E (in combination with a bus coupling unit UP) consists of the device (hardware) and the application program (software).

The required bus coupling unit UP and DELTA line / DELTA vita / DELTA miro frame are not included and therefore have to be ordered separately (see current catalog).

An application program is available for the different tasks the wall switch can be applied to.

With an appropriate application program the wall switch UP 221 E / UP 222 E can control actuators via its bus coupling unit, e.g., for defined on and off switching, dimming fluorescent lamps or for raising and lowering venetian blinds and adjusting the louvres.

Opposite rockers are combined for switching purposes e.g. for defined switching, dimming, controlling sliding shutters and blinds, i.e. the left rocker is used for e.g. switching on and the right rocker for switching off.

The LEDs positioned with the right rocker may be used as status indicators.

With the ETS (*EIB Tool Software*) the application program is selected, its parameters and addresses are assigned appropriately, and downloaded to the bus coupling unit UP.

Application Programs

Wall switch, single UP 221

12 S1 E-A-U/Dim/Jalo/Scene 212001

- Switching On/Off/Toggle
- Dimming
- Shutter/Blind up/down, slats movement
- Send value
- Scene (1-bit)
- Status LED

20 S1 Rocker (BCU2) 908402

- Switching On/Off/Toggle
- Dimming
- Shutter/Blind up/down, slats movement
- Send value
- Scene (1-bit)
- Status LED

Wall switch, dual UP 222

12 S2 E-A-U/Dim/Jalo/Scene 222001

selectable per pair of rocker switches

- Switching On/Off/Toggle
- Dimming
- Shutter/Blind up/down, slats movement
- Send value
- Scene (1-bit)
- Status LED

20 S1 Rocker (BCU2) 908502

- Switching On/Off/Toggle
- Dimming
- Shutter/Blind up/down, slats movement
- Send value
- Scene (1-bit)
- Status LED

Wall switch, single UP 221 E
Wall switch, dual UP 222 E

5WG1 221-2EB..
5WG1 222-2EB..

Installation Instructions

- The device may be used for permanent interior installations in wall boxes in dry locations.



WARNING

- The device must be mounted and commissioned by an authorised electrician.
- The device may be mounted to switch and socket combination box mounts if VDE-certified devices are used exclusively.
- The prevailing safety rules must be heeded.
- For planning and construction of electric installations, the relevant guidelines, regulations and standards of the respective country are to be considered.

Technical Specifications

Power supply

via bus coupling unit UP

Control elements

- Horizontal pairs of rockers constitute pairs of switches (single or dual) are combined for switching purposes e.g. for defined switching, dimming, controlling sliding shutters and blinds, i.e. the left rocker is used for e.g. switching on and the right rocker for switching off.
- Number of switching operations: > 20000 per rocker

Display elements

- 1 LED
as orientation light in the dark
- 1 Status LED (UP 221 E)
2 Status LED (UP 222 E)

Connections

10-pin connector (PEI):
for connection to a bus coupling unit UP

Physical specifications

- housing: plastic
- dimensions (L x W x D):
55 x 55 x 24 mm (incl. spring)
- weight: approx. 25 g
- installation: mounted on bus coupling unit UP

Electrical safety

- degree of pollution (according to IEC 60664-1): 2
- protection (according to EN 60529): IP 20
- overvoltage class (according to IEC 60664-1): III
- bus: safety extra low voltage SELV DC 24 V

- the device complies with
EN 50 090-2-2 and IEC 60664-1

Electromagnetic compatibility

complies with EN 50090-2-2

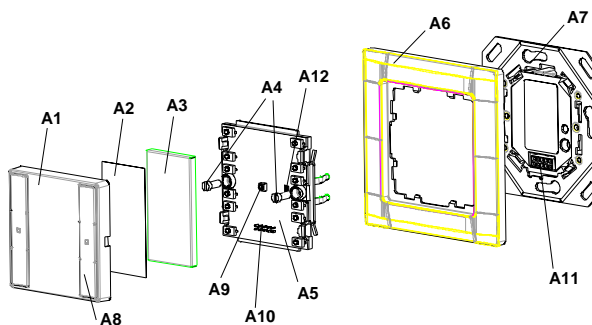
Environmental specifications

- climatic conditions: EN 50090-2-2
- ambient temperature operating: - 5 ... + 45 °C
- ambient temperature non-op.: - 25 ... + 70 °C
- relative humidity (non-condensing): 5 % to 93 %

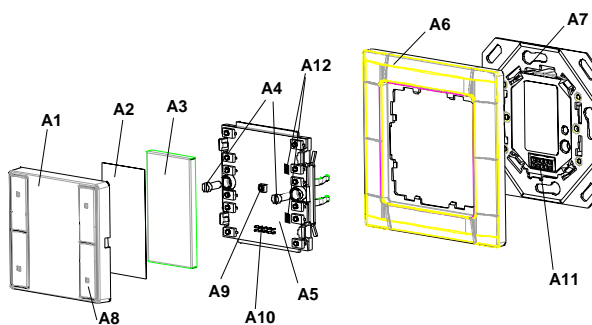
Markings

KNX/ EIB

Location and Function of the Display and Operating Elements



Single



dual

Wall switch, single UP 221 E
Wall switch, dual UP 222 E

5WG1 221-2EB..
5WG1 222-2EB..

- A1 Transparent frame with switch buttons
- A2 Transparent plastic labeling film
- A3 White label holder
- A4 Mounting screws
- A5 Switch main module
- A6 Design frame (DELTA line/vita/miro)
- A7 Wall mounted bus coupling unit UP
- A8 Switch button
- A9 LED for orientation lighting
- A10 PEI interface on wall switch module
- A11 PEI interface on bus coupling unit
- A12 Status LED

Mounting and wiring

General description

The wall switch UP 221 E / UP222 E is slid onto the bus coupling unit UP together with its DELTA line / vita / miro frame. The electric connection between the wall switch UP 221 E / UP 222 E and the bus coupling unit UP is established via a physical external interface (PEI).

Mounting

- The bus coupling unit UP (A7) is mounted into a flush-mount box (see installation instruction of the bus coupling unit UP).
- Remove the transparent frame with the switch buttons (A1) from the wall switch's main module (A5) by inserting a screwdriver laterally into the recesses and lifting the transparent frame upwards from the main module.
- Slip the wall switch's main module (A5) together with the design frame DELTA line / DELTA vita / DELTA miro (A6) onto the bus coupling unit UP.
- Attach the wall switch's main module to the bus coupling unit UP (A7) with the screws delivered in the package (A4).
- To write a label separate the white label holder (A3) from the transparent frame. Label a transparent plastic labeling medium (A2) (e.g. Avery Zweckform No. J4720 for inkjet printers or Avery Zweckform No. L4770 for laser printers) that you insert into the transparent frame (A1) with the transparent medium (A2) and the white label holder (A3).
- Slide the transparent frame back onto the main module (A5).

Unmounting

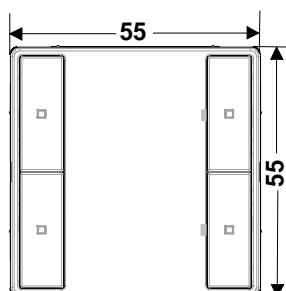
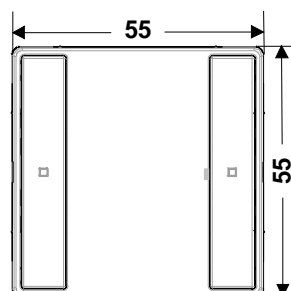
- Remove the transparent frame with the switch buttons (A1) from the wall switch's main module (A5) by inserting a screwdriver laterally into the

recesses and lifting the transparent frame upwards from the main module.

- Loosen the screws securing the wall switch's main module to the bus coupling unit UP (A7).
- Remove the wall switch's main module (A5) together with the design frame DELTA line / DELTA vita / DELTA miro (A6) from the bus coupling unit UP (A7).

Dimension Diagram

Dimensions in mm



General Notes

- Any faulty device should be returned to the local Siemens office.
- If you have further questions concerning the product please contact our technical support.

☎ +49 (180) 5050-222

☎ +49 (180) 5050-223

📄 <http://www.siemens.com/automation/support-request>

Wall switch, single UP 221 E
Wall switch, dual UP 222 E

5WG1 221-2EB..
5WG1 222-2EB..

Notes