

# KNX IP Router 750

## IP-Router / Interface between LAN and EIB/KNX bus

Data sheet

### Application area

The KNXnet/IP router allows forwarding of telegrams between different lines through a LAN (IP) as a fast backbone.

In addition this device is suited to connect a PC to the KNX/EIB network e.g. for ETS programming.

The IP address can be obtained by a DHCP server or by manual configuration (ETS) respectively.



Figure 1: Photo of device

This device works according to the KNXnet/IP specification using the core, the device management, the tunnelling and the routing part.

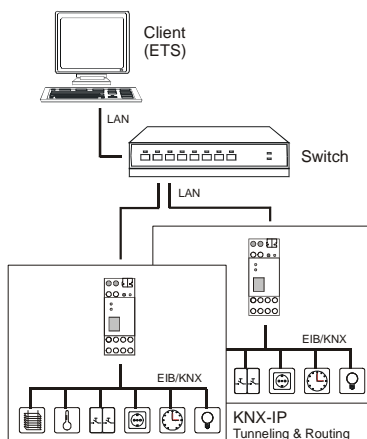


Figure 2: Typical application

The KNX IP Router 750 has a filter table and is able to buffer up to 150 telegrams.

Weinzierl Engineering GmbH  
84558 Tyrlaching  
E-Mail: [info@weinzierl.de](mailto:info@weinzierl.de)  
Web: [www.weinzierl.de](http://www.weinzierl.de)



### Technical data

#### Electrical safety

- Protection (EN 60529): IP 20
- Safety extra low voltage SELV DC 24 V

#### EMC requirements

- Complies with EN 61000-6-2, EN 61000-6-3 and EN 50090-2-2

#### Environmental requirements

- Ambient temp. operating: - 5 ... + 45 °C
- Ambient temp. Non-op.: - 25 ... + 70 °C
- Rel. humidity (non-condensing): 5 % ... 93 %

#### Certification

- EIB/KNX

#### CE norm

- Complies with the EMC regulations (residential and functional buildings) and low voltage directive

#### Physical specifications

- Housing: Plastic
- DIN rail mounted device, width: 36 mm
- Weight: approx. 100 g
- Fire load: approx. 1000 kJ

#### Operating controls

- Learning key for EIB/KNX

#### Indicators

- Learning-LED (red)
- Signal-LED (green) for EIB/KNX
- Signal-LED (green) for LAN

#### Ethernet

- 10BaseT (10Mbit/s)
- Supported internet protocols ARP, ICMP, IGMP, UDP/IP and DHCP

#### Power supply

- External supply 12-24V
- Alternative: Power-over-Ethernet
- Power consumption: < 800 mW

#### Connectors

- EIB/KNX connection terminal
- LAN RJ-45 socket
- Screw connector for power supply