

Group control relay WG-N-GS-4



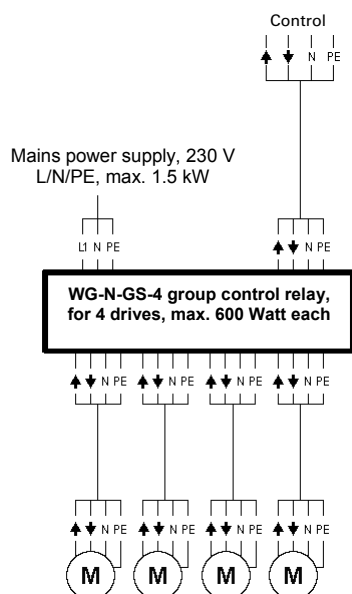
Product information:

The WG-N-GS-4 decoupling relay can operate up to four drives as a group. The WG-N-GS operates using its own power supply. The wall-mounted housing allows it to be fitted in non-conspicuous locations (such as sub-distributor casings, inspection flaps).

Technical specifications:

Housing:	Plastic
Colour:	Grey
Installation:	Surface-mounted
Protection rating:	IP 54
Dimensions:	approx. 160 × 80 × 57 (W × H × D, mm)
Weight:	approx. 300 g
Ambient temperature:	Operating -20...+50°C, Storage -55...+90°C
Operating voltage:	230 V AC / 50 Hz
Control input:	230 V AC, 50 Hz (Up/Down/N/PE)
Outputs:	4 × drives, 230 V AC (Up/Down/N/PE), max. 8 A each, max. 600 W each

Connection diagram:



WG-N-GS-4 decoupling relay