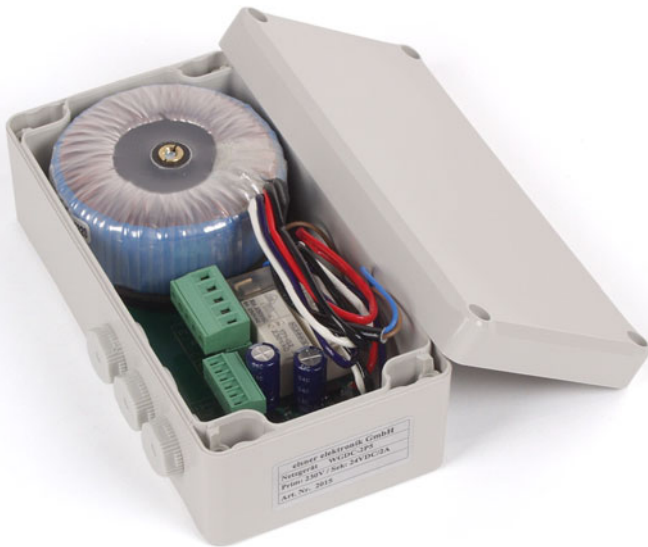




WGDC-2P5

DC Power Adaptor

Technical specifications and installation instructions



1. Description

The **WGDC-2P5 Power Adaptor** is suitable for use with DC motors with 5-pole connections (e.g. window motors which are integrated into the facade).

Functions:

- For motors with 5-pole connections (dry contact "Up", "Down" and "Com" connections) or drives for Belimo FLS ventilation window systems
- Connection terminals are labelled and pluggable

1.1. Technical specifications

Housing	Plastic
Colour	Grey
Mounting	Surface-mounted
Protection category	IP 54
Dimensions	approx. 160 x 80 x 57 (W x H x D, mm)
Weight	approx. 925 g
Ambient temperature	Operation -40...+70°C, Storage -55...+90°C
Operating voltage	230 V AC / 50 Hz
Outputs	1 x 5-pole (Up/Down/Com), 1 x Belimo FLS (MP/+24 V/GND) short circuit-proof, stabilised, dry contact
Output voltage	24 V DC
Output current	2 A
Transformer primary fuse	T 1.6 A

2. Installation and commissioning

2.1. Notes on installation



Warning, mains voltage!
National legal regulations are to be observed.

Installation, inspection, commissioning and troubleshooting of the device must only be carried out by a competent electrician.

Disconnect all lines to be assembled, and take safety precautions against accidental switch-on.

The device is exclusively intended for appropriate use. With each inappropriate change or non-observance of the instructions for use, any warranty or guarantee claim will be void.

After unpacking the device, check immediately for any mechanical damages. In case of transport damage, this must immediately notified to the supplier.



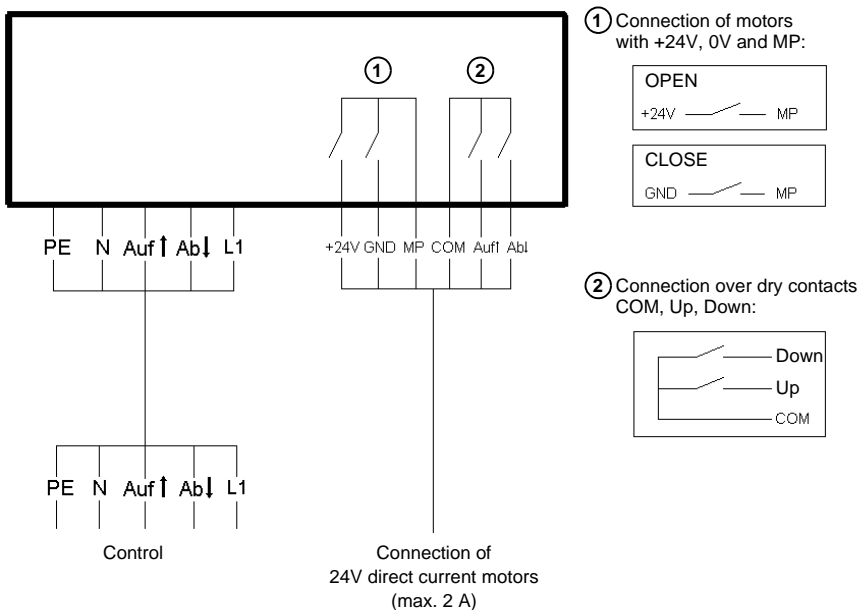
If damaged, the device must not be put into operation.

If an operation without risk may supposedly not be guaranteed, the device must be put out of operation and be secured against accidental operation.

The device must only be operated as stationary system, i.e. only in a fitted state and after completion of all installation and start-up works, and only in the environment intended for this purpose.

Elsner Elektronik does not assume any liability for changes in standards after publication of this instruction manual.

2.2. Diagram



2.3. Notes on mounting and commissioning

Do not open the device if water (rain) might ingress: even some drops might damage the electronic system.

Observe the correct connections. Incorrect connections may destroy the sensor or connected electronic devices.