

Steel DMX Sequenzer

addressable 12-24V DC

Instructions for use

Art. Nr. S-24703

Safety information:

Fitting and assembly of electrical appliances must only be done by an electrician. Inadherence to the installation instructions could result in fire or other dangerous consequences. The DMX Sequenzer is a protection rating III device. Be sure that the voltage in the DMX and the primary side correspond to the SELV- values.

Caution:

During installation and maintenance, measures must be taken to prevent a polarity reversal of the supply voltage.

This device is only usable as a data receiver.

Connection

The addressable DMX Sequenzer can in principle be integrated at any point in the DMX bus.

Input connections, refer to the illustration:

- (1) 24V DC Supply across the terminals
- (2) DMX IN – OUT through the terminals
- (3) terminal connections for external buttons for manual control.

Output connections, refer to the illustration:

- (4) Jumper for manual operation
- (5) RGB LED channels

Use only 3 pole screened cable for the DMX bus.

Best: 120 Ohm cable for the DMX. Always connect the earth to the negative terminal of the supply. Only connect up to 32 units to one bus; if more than this, a DMX amplifier must be used.

The use of unsuitable cables may cause the bus to malfunction.

Technische Daten

Supply voltage	12-24 VDC
Output current	2,2A
Connection load	6,6A
Output short circuit protection	YES
Reverse polarity protection	NO
DMX transfer rate	250.000 Bps
Working temperature	-5 °C to +40 °C
Connections	DMX / load by means of single wire 0,75-1,5mm, screw terminals
Output signal	PWM / 245Hz

Note:

In order to prevent malfunction, the maximum cable length, supply points, maximum distances etc. must be observed.

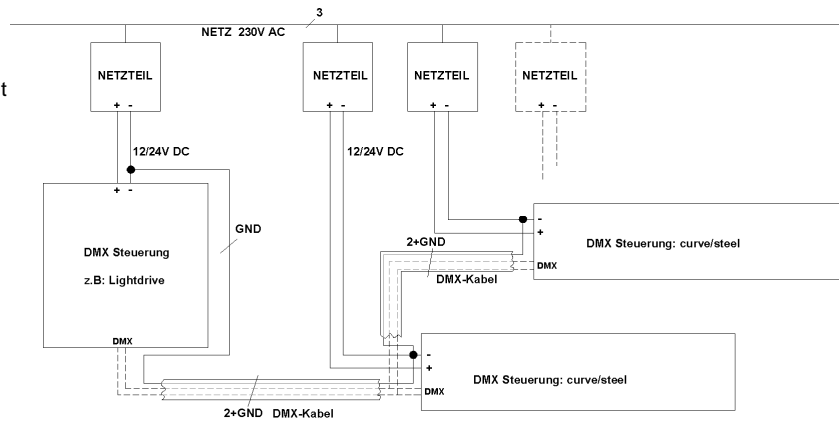
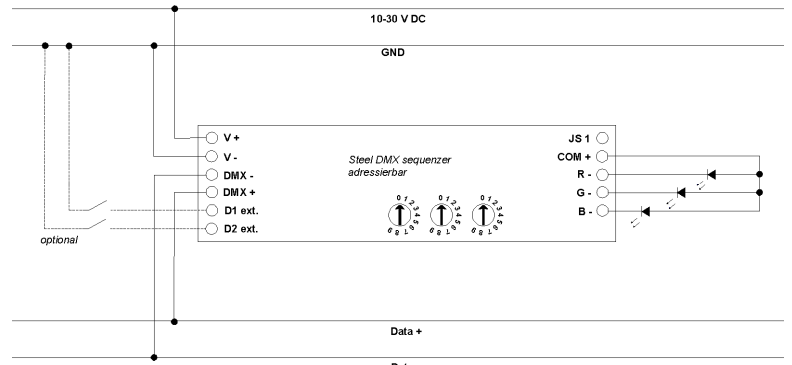
Warranty

We provide a guarantee in accordance with the law. Please send the device (free postage) to our central customer service centre, with a description of the fault.

Manual operation:

Switching between DMX and manual operation is done by means of the jumper JS1. By pulling the jumper, manual mode is selected. Pushing button D2 for 2 seconds starts the pre-programmed chromatic sequence. This contains 14 light scenes. To change to the next state in the chromatic circle, press button D1 for a maximum of half a second. By pressing D2 for a short time, the current colour values can be stored. Now you are within the stored colour values and you can turn these off or on and dim them using button D1. The current stored colour value, together with its brightness, is selected when the device is switched on, whether by switch or following an interruption in the supply current.

DMX Sequenzer wiring diagram:

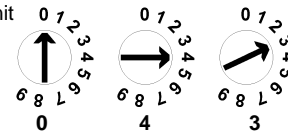


IMPORTANT: To ensure correct functioning of the DMX bus when using several voltage sources, the negative pole of the power supply and the actuator must be connected together with the GND of the DMX, to avoid a shift of potential.

Addressing:

This is by means of 3 rotating switches which can be used without opening the device.

By means of the 3 rotating switches (S1-S3) a number within the permissible address range (1-510) can be set. The LEFT hand switch determines the hundreds, the CENTRE switch determines the tens, and the RIGHT switch the unit



The example illustrated above gives the address 043 for the output, Outputs 2 and 3 are automatically configured with the next address. Output 1 = 043 II Output 2 = 044 II Output 3 = 045

The address can only be changed if the jumper is pulled out. If you try to change the address with the jumper connected, the device will maintain the original address. If several devices have the same address, they can be controlled by the DMX simultaneously. Additional programming is not necessary.

It is possible in this way to have up to 32 devices connected in parallel to the DMX.

IMPORTANT: The address can only be set in each case with the first address of the next block of 3. 1-4-7-10-13-16-19-22-.....

HEAD OFFICE

Customer Service Centre:

BILTON LED LIGHTING
 Loferer straÙe.2
 5760 Saalfelden/ Austria
 Tel: +43 6582 71164
 Fax: +43 6582 71164 -10
 service@bilton.at

Produced and tested by:
 Micro Systeme GmbH
 Hirnreit 113
 5771 Leogang