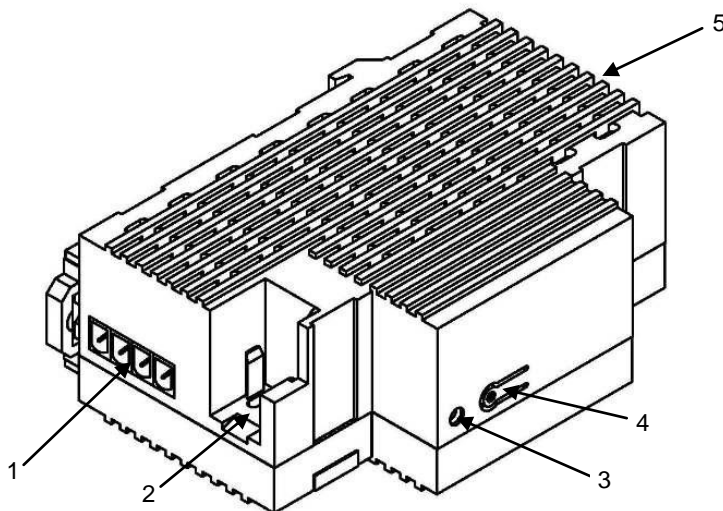


FEATURES

- Reduced size: 90 x 60 x 35 mm (2 DIN rail units).
- No external supply required different from Bus.
- KNX BCU integrated.
- Stand Capacitive Loads
- Connectors wiring can be done without the device.
- DIN rail unit assembly (EN 50022), with snap fit clamp.
- Including Logical Functions.
- Output timing facilities.
- Total data saving when power failure occurs.
- CE directives OK.



- | | | |
|-----------------------|-----------------------|--------|
| 1. Output (Channel B) | 2. KNX Connection | 3. LED |
| 4. Programming button | 5. Output (Channel A) | |

Programming button: a push button to set programming mode. If this button is held while plugging the device into the KNX bus, it goes into secure mode.

LED: Programming mode indicator. When the device goes into secure mode, it blinks (red) every half second. During start up (after reset or power failure) and if the device is not in secure mode, LED indicator blinks blue for a few seconds.

GENERAL SYSTEM SPECIFICATIONS

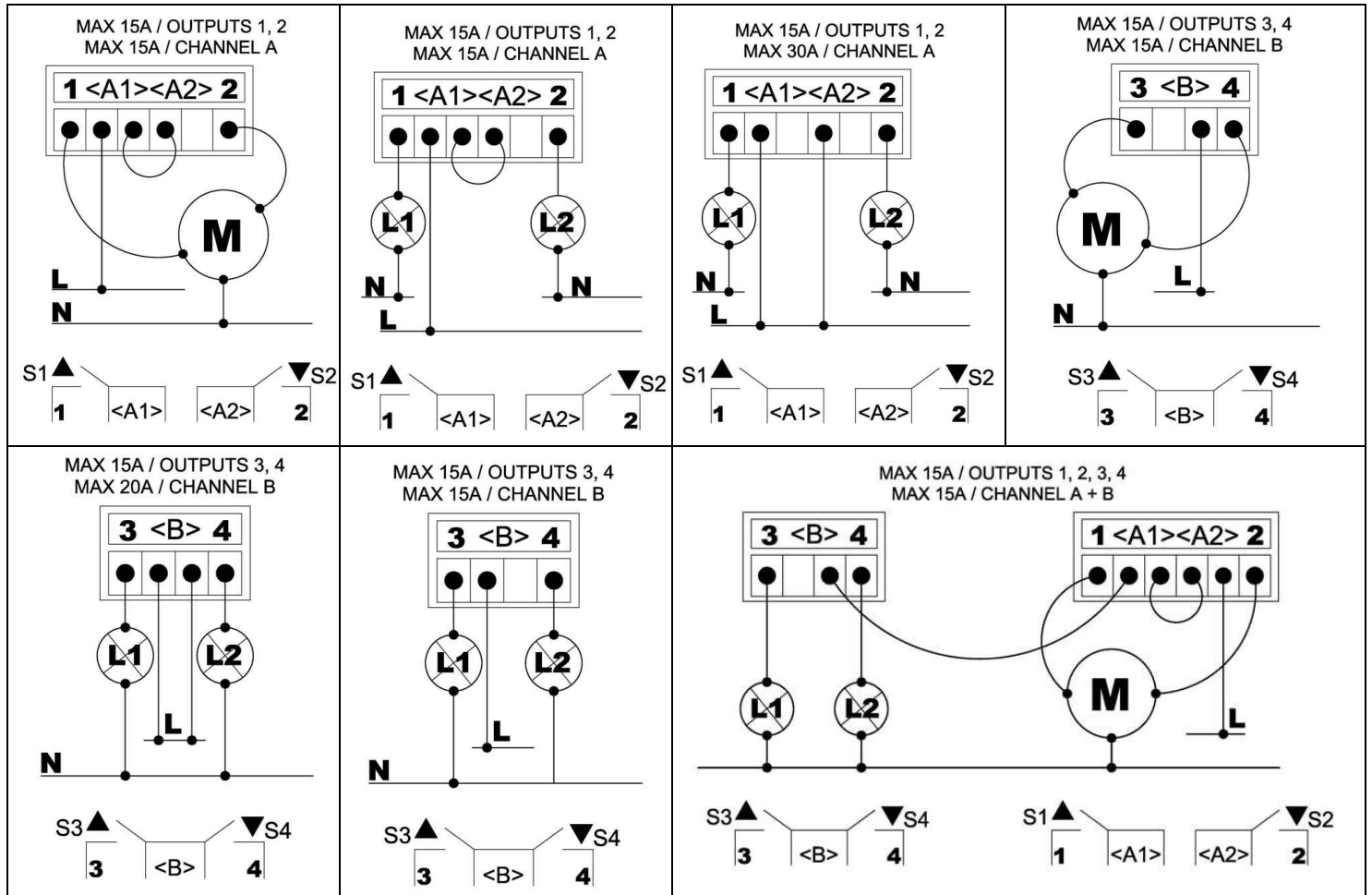
CONCEPT		DESCRIPTION
Type of device		Electric Operation Control Device
KNX Supply	Voltage	29V DC
	Voltage range	21...31V DC
	Power consumption	Max 150 mW
	Bus connection	Typical BUS connector TP1, 0,50 mm ² section
External Power Supply		No
Ambient Temperature		from 0°C to +55°C
Storage Temperature		from -20°C to +70°C
Ambient Humidity		from 30 to 85% RH (No condensation)
Storage Humidity (relative)		from 30 to 85% RH (No condensation)
Complementary Characteristics		Class B
Safety Class		II
Operation Type		Continuous operation
Device Action Type		Type 1
Electrical solicitations period		Long
Type of Protection		IP20, clean environment
Assembly		Independent control assembly device to be mounted inside distribution boxes or electrical panels
Minimum clearances		---
Power Failure response		Data saving
Response when restarting		Customizable output status recovering
Operation indication		Programming led lighting when pressing programming button.
Weight		170 gr.
PCB CTi index		175 V
Enclosure		PC+ABS FR V0 halogen free

OUTPUTS-SPECIFICATIONS AND CONNECTIONS

Contact type	Free Potential Outputs through bistable relays with tungsten pre-contact.	
Disconnection type	Micro-disconnection	
Rated current by output	15A 250V AC (3750 VA), 15A 30V DC (450W)	
Rated current by channel	20/30A* 250V AC (5000 VA), 20/30A* 30V DC (600W)	
Dropping Voltage	Negligible	
Outputs per common (Channel)	2 Individual Outputs (Channel A) 2 Individual Outputs per common (Channel B)	
Different Phases Connection	Up to two phases: Phase 1-Channel 1 & Phase 2-Channel 2	
Connection Type	Screw Terminals Clamp	
Recommended Cable Section	from 0,25 mm ² to 2,5 mm ²	
Cable Type	Stranded or solid wire with crimping terminals.	
Response Time	50 ms	
Number of automatic cycles (A) per automatic action	Mechanical (Min)	10 million operations (300cpm)
	Electrical (min.)	100.000 cycles at Max. current (20cpm and resistive load)

* See *Wiring/Installation Options*

WIRING OPTIONS



SAFETY INSTRUCTIONS



- Do not connect the Main Voltage (230 V) or any other external voltages to any point of the BUS. Connecting an external voltage might put all the KONNEX system into risk.
- Installation should only be performed by qualified electricians following applicable regulations on preventing accidents, as required by law.
- Flexible cable with crimping terminals or rigid cable without terminals must be used for output connection.
- Ensure there is enough insulation between the AC Voltage cables and the BUS ones.
- Up to 2 different electrical phases can be connected to the device as long as one is connected to channel A and the other one to Channel B.
- Warning! Installation should only be performed by qualified electricians. Once installed, the device must not be easily accessible from the outside.