

Arcus-EDS

Product Page



KNX Logic module
REGFM
Art.-Nr. 40020186

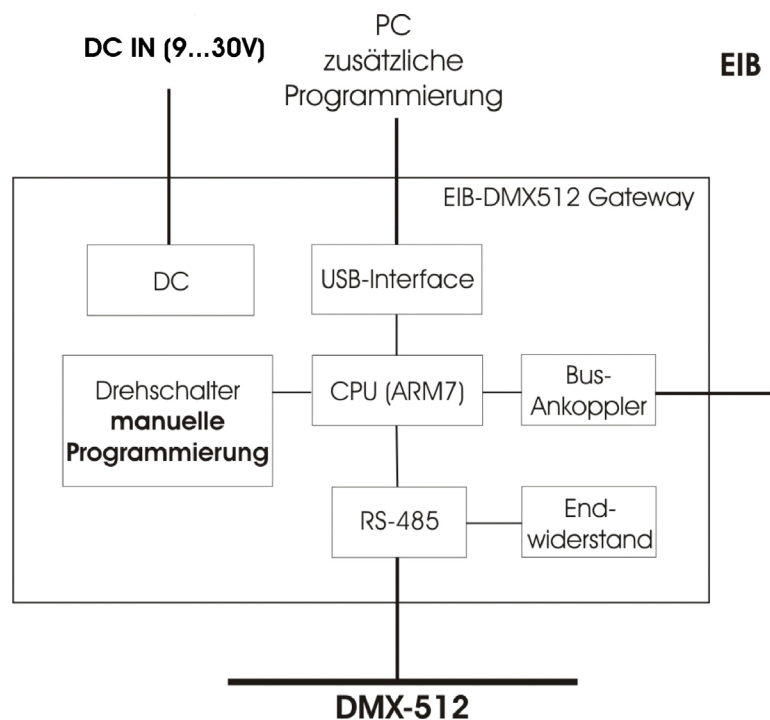
Active Principle and Application Area

The **REGFM Modul** is a logic module, which is used in EIB/ KNX Systems. It is characterized by the free programming in the forth language interpreter. The 50 MHz Arm processor allows fast 32-bit integer operations and 64-bit floating point calculations. A self-compiling command interpreter produces fast and compact code. Additionally, the module REGFM contains programmable control and display elements.

The REGFM delivered an RS232 and an RS485 interface (DMX).

Application and Functionality

- 8 kB of RAM memory for programs and data
- 16 programmable timer with 1 / 100 sec resolution
- programs and data can be permanently stored in flash
- 1 button for starting a specific user-defined function
- Specially adapted for functions EIB communication elements user, date and time
- Documented processor interfaces for individual EIB / KNX solutions (2x serial interface). Thereto is Microcontroller knowledge required.
- supply via USB or EIB, auxiliary voltage required
- Programming on the ArcSuite software

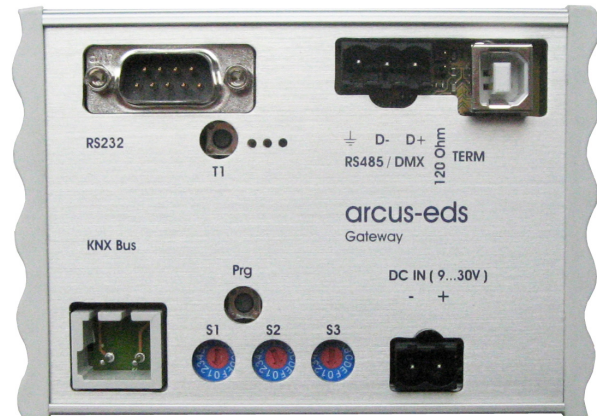


Operation
Connections
Clamp RS485

- 1 RS485 GND (0V)**
- 2 RS485 Data - (B)**
- 3 RS485 Data + (A)**

D-Sub-9-M RS232
Clamp DC IN (9...30V)

- 1 - DC 0V**
- 2 + DC 9-30V**


Clamp KNX BUS

Clamp block KNX and screw clamp DC-IN und RS485 are included.

Switch the power supply on.

The switches **S1/S2/S3** and the Pushbutton **T1** can be freely programmed.

The **physical address** is programmed with the ETS through a dummy application using the **Prg** button.

Using the Jumper J1 (**120R TERM**) the RS485 Bus is set with a 120 Ohm load resistor.

The KNX Bus is galvanically separated from the serial connectors.

The power supply is galvanically separated from the serial connectors and the KNX Bus.

Technical Data:

Dimensions:	92x71x24mm (Inside), 107x75x31mm (Outside)
Protection Class: I	IP20
Mounting:	Rail Mounted Device 6 TE
Temperature Range:	-5 °C to 45 °C
Controls:	3 16-level Rotary Switch, 1 Button User, 2 LED User, 1 EIB Button+LED
KNX Connection:	KNX Clamp Block
KNX Power Supply:	20 - 32V DC, approx. 150 mW
RS232 Connection:	9-Pol D-Sub-9-M
RS485 Connection:	3 Screw Clamps 0.8mm ²
	KL1 GND, KL2 Data - (B) , KL3 Data+ (A)
Terminating Resistor RS485:	120 Ohm via Jumper
Forth Programming:	USB slot with PC Software Arcsuite
Power Supply:	9-30V DC, 100mA, internal galvanically separated, polarized, defect-proof 2 Screw Clamps KL1 - GND, KL2 - +V
RS485:	250.0 KBaud max.
RS232:	115.2 KBaud max.

Imprint:

Publisher: Arcus-EDS GmbH, Rigaer Str. 88, 10247 Berlin

Responsible for Content: Hjalmar Hevers, Reinhard Pegelow

Reprints, including partial reprints, can be made only with expressed permission from Arcus-EDS GmbH. This information is the best to our knowledge and is without guarantee. We reserve the right to make any technical and price changes at any time.

Liability:

Selection and determining the appropriateness of the devices for a designated purpose is the customer's full responsibility. We offer no liability or guarantee for this. The data in the catalogue and data sheets is a result of experienced measurements and does not embody a guarantee of particular features. Arcus excludes responsibility for damage done on the part of the customer due to improper operation/projecting or malfunctions. On the contrary, the operator/projector must ensure that improper operation, and projection and malfunctions do not lead to any further damage.

Safety Guidelines:

Attention! Installing and assembling electrical devices must only be done by an electronics specialist. The customer should be aware of and adhere to the safety guidelines of VDE, TÜV and the appropriate energy provider. Our guarantee does not include defects and damage caused by improper use or non-compliance of operating instructions.

Warranty:

We provide a warranty as required by law. Please contact us in case of malfunction and send the device with a full description of the fault to the address below

Manufacturer:**Registered Trademarks:**

The CE Trademark is an unofficial market trademark used exclusively by authorities and provides no warranty of properties.



Registered Trademark of Konnex Association